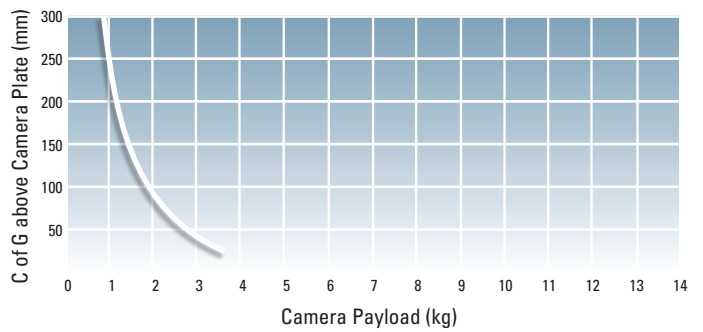


#180 DS5 Fluid Head

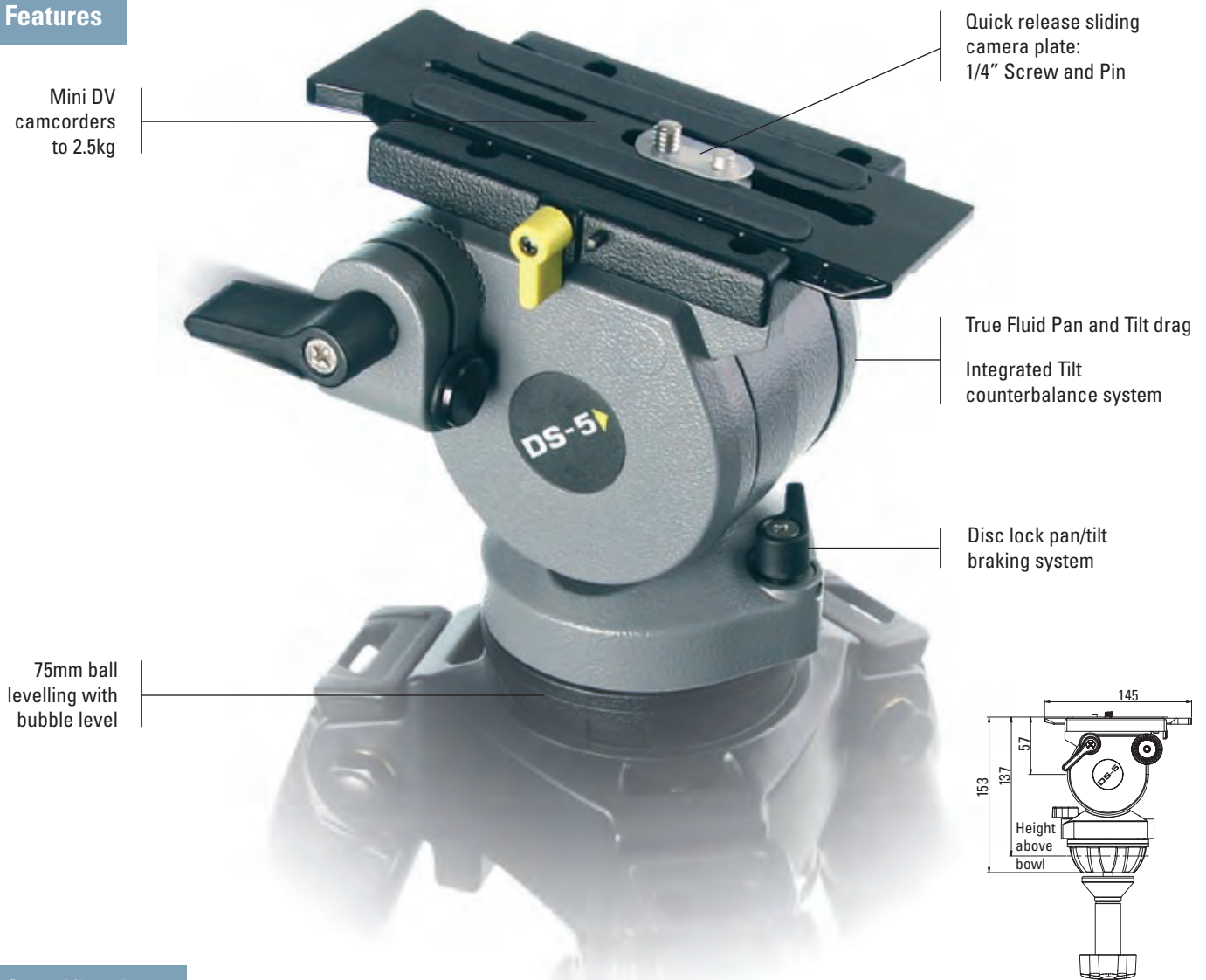
High quality precision Mini-DV head

Your MiniDV camera attaches to the DS5 fluid head using the industry standard 1/4" + pin attachment and provides a true fluid pan and tilt drag offering smooth movements needed to produce high quality MiniDV moves. Disc style tilt and pan locks guarantee non-slip rock-solid lock-off shooting positions. 75mm ball levelling lets you set up your tripod to any position, then quickly adjust your fluid head using the rear-mounted bubble level for perfect horizon setting.

Counterbalance Performance



Features



Specifications

Weight	1.6 kg (3.5 lb)	Counterbalance	Single fixed position
Payload range	0-2.5 kg (0-5.5 lb)	Camera platform	Quick release sliding camera plate with 1/4" + pin
Pan drag	Fluid drag plate system	Sliding range	60 mm (+/- 30 mm)
Pan rotation	360°	Height above bowl	137 mm
Pan lock	Calliper disc brake system	Mounting base	75 mm ball levelling
Tilt drag	Fluid drag plate system	Temperature range	-40°C to +65°C
Tilt angle	+ 90°/ -75°	Pan handle	Fixed length
Tilt lock	Calliper disc brake system		

#1637

Components:

DS5 Fluid Head	(180)
Solo DV 2 Stage Alloy Tripod	(1630)
Pan Handle with Handle Carrier	(680)
Solo DV Case	(1518)

Specifications:

Weight*	5.15 kg (11.4 lb)
Payload capacity:	2.5 kg (5.5 lb)
Payload range:	0-2.5 kg (0-5.5 lb)
Transport length:	831 mm (32.7 in)
Height range:	371-1762 mm (14.6-69.4 in)

Optional:

Pan Handle (Non-telescopic) w/handle carrier	(680)
Solo DV Strap	(1520)
Solo Leg Covers	(1590)
Solo Dolly	(394)



*Weight includes softcase.

“Our little lightweight SOLO had a great adventure over the memorable six weeks and it performed like an absolute champ in a variety of situations. From the urban high rise slums of Chennai, to often being buried into the scorching hot sand, panning along the Tsunami affected coastal community of Kovallum beach.”

Simon & Nick

Operation India Documentary

Chennai, India

