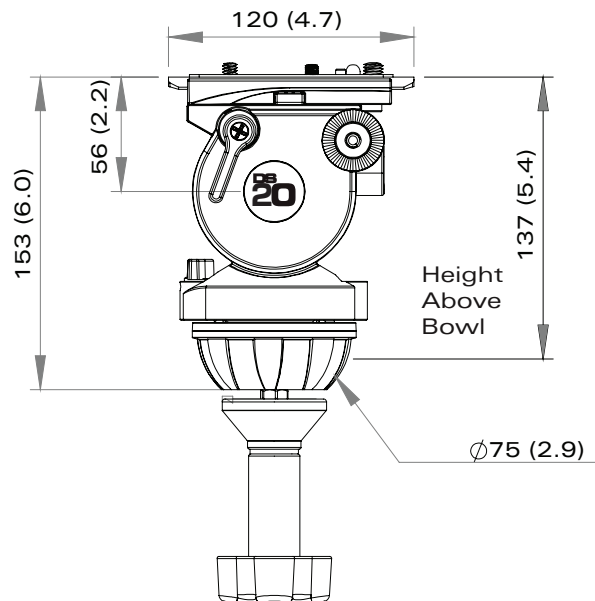
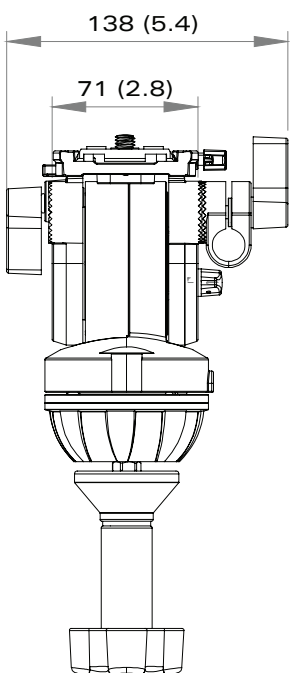




FEATURES

- Compact, lightweight.
- 2 selectable positions of counterbalance.
- Perfect for camera payloads to 5-10kg (11-22lbs).
- Unique, reliable fluid drag technology delivering smooth starts, soft stops pans-tilt actions.
- Consistent fluid drag performance in extreme environments.
- Precision ball bearing mounted pan-tilt movement.
- Precise floating pan-tilt calliper locks ensure bounce free on-off performance.
- Quick release, 60mm balance travel camera plate with 1/4" screw + pin, 1/4" and 3/8" screws
- Robust construction for rugged outdoor shooting conditions, built for endurance.
- Removable ball level stud for flat base mounting (sliders) with 3/8" screw hole.
- Optional second pan handle mount.
- Three-year warranty.

Multifunctional Lightweight Flexibility



184 DS20 FLUID HEAD

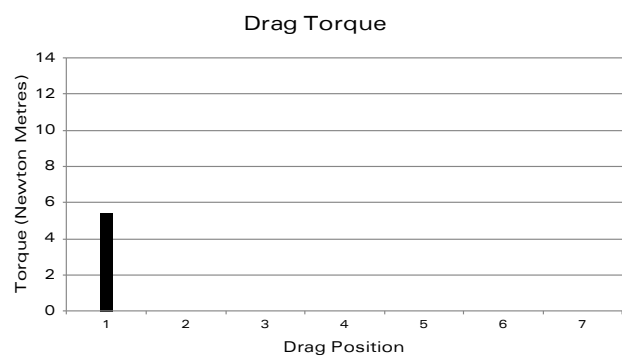
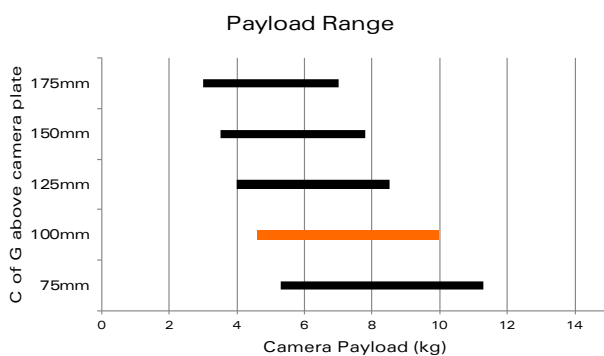
| | |
|--------------------|--|
| Weight: | 1.5 kg (3.3 lbs) |
| Payload range: | 5.0 - 10.0 kg (11.0 - 22.0 lbs) |
| Pan/tilt drag: | Fixed drag position |
| Counterbalance: | 2 selectable positions |
| Pan/tilt lock: | Positive lock caliper brake system |
| Tilt range: | + 90° / -75° |
| Pan range: | 360° |
| Camera platform: | Sliding camera plate |
| Sliding range: | 60 mm (2.4") |
| Mounting base: | Ø75 mm (2.9") ball levelling |
| Height above bowl: | 137 mm (5.4") |
| Illumination: | N/A |
| Pan handle: | Fixed 390 mm (15.4") |
| Temperature range: | -40° to +65° C (-40° to +149° F) |
| Material: | Lightweight hi-strength diecast aluminium alloy and rigid composite polymers |
| Finish: | Durable grey ripple (low sheen) with anti-corrosive pre-treatment |
| Sealing: | Water and dust resistant |
| Warranty: | 3 Years |

OPTIONAL ACCESSORIES

| | |
|------|------------------------------|
| 378 | Ø75 - 100 tripod bowl |
| 1205 | Sliding camera plate |
| 1207 | Sliding camera plate (long) |
| 1209 | Sliding camera plate (short) |
| 493 | Camera plate carriage |

SPARES

| | |
|-------|-------------------|
| P0037 | 3/8" camera screw |
| P0036 | 1/4" camera screw |



AUSTRALIA
 Miller Camera Support Equipment
 30 Hotham Parade
 Artarmon, Sydney, NSW 2064
 Australia
 Quality ISO 9001
 P +61 2 9439 6377 F +61 2 9438 2819
 sales@miller.com.au

EUROPE
 Miller Fluid Heads (Europe) Ltd.
 Unit 12A, Shepperton Business Park
 Govett Avenue, Shepperton
 Middlesex, TW17 8BA
 United Kingdom
 P +44 (0) 1932 222 888 F +44 (0) 1932 222 211
 sales@millertripods-europe.com

USA
 Miller Camera Support LLC
 216 Little Falls Road (Unit 15 & 16),
 Cedar Grove, New Jersey 07009
 USA
 P +1 (973) 857 8300 F +1 (973) 857 8188
 sales@millertripods.us