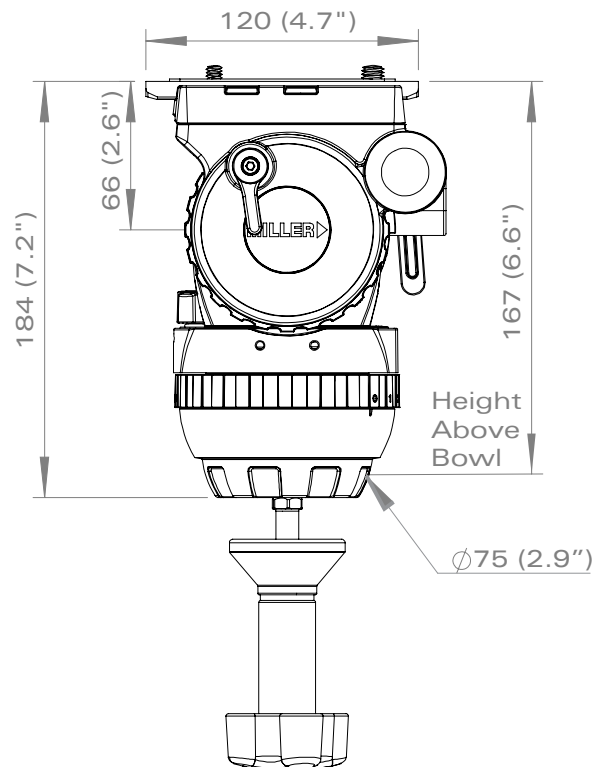
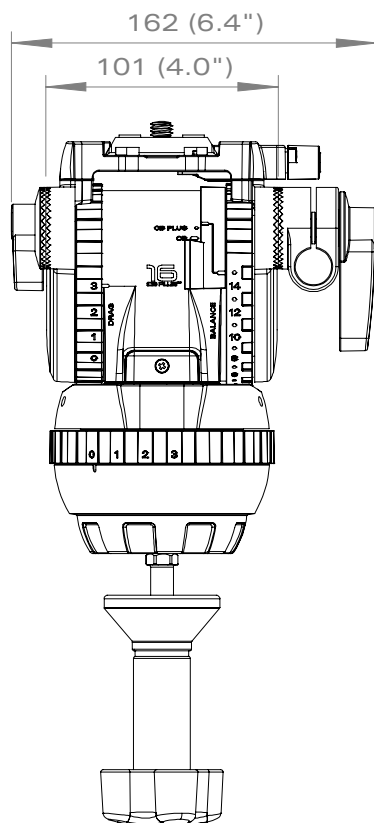




## FEATURES

- Compact, lightweight and versatile.
- 3 selectable drag positions (pan and tilt) + 0.
- 16 selectable counterbalance positions, with CB Plus for precise counterbalance.
- Perfect for payloads to 0 - 8 kg (0 - 17.6 lbs)
- Fluid drag system with smooth start and soft stop technology & balanced diagonal transition.
- Controls slim inline radial ring controls.
- Illuminated bubble level.
- Removable ball level stud for flat base mounting (sliders) with 3/8" screw hole.
- Precise floating pan-tilt calliper locks ensure bounce free on-off performance.
- Side loading camera plate with 60mm travel.
- Robust construction for rugged outdoor shooting conditions.
- Optional second pan handle mount.
- 2 side mount for accessory blocks.
- 3 year warranty.

Perfect for lighter cameras



## 1090 COMPASS<sup>X</sup> 2 FLUID HEAD

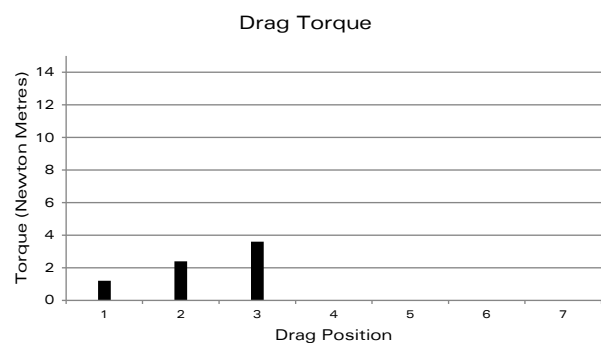
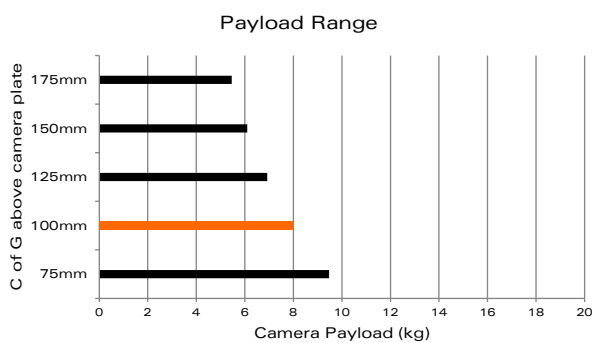
Weight:	2.3kg (5.1lbs)
Payload range:	0 - 8.0 kg (0 - 17.6lbs)
Pan/tilt drag:	3 selectable fluid drag positions + 0
Counterbalance:	16 selectable positions (15 + 0)
Pan/tilt lock:	Positive lock caliper brake system
Tilt range:	+ 90° / -75°
Pan range:	360°
Camera platform:	Quick release, side load camera plate
Sliding range:	60mm (2.4")
Mounting base:	Ø75mm (2.9") ball levelling
Height above bowl:	167mm (6.6")
Illumination:	Bubble level
Pan handle:	Fixed 390mm (15.4")
Temperature range:	-40° to +65° C (-40° to +149° F)
Material:	Lightweight hi-strength diecast aluminium alloy and rigid composite polymers
Finish:	Durable black ripple (low sheen) with anti-corrosive pre-treatment
Sealing:	Water and dust resistant
Warranty:	3 Years

## OPTIONAL ACCESSORIES

696	Pan handle - telescopic with clamp
1218	Accessory mounting bracket
1217	Accessory mounting adaptor

## SPARES

P0036	1/4" camera screw
P0037	3/8" camera screw



### AUSTRALIA

Miller Camera Support Equipment  
30 Hotham Parade  
Artarmon, Sydney, NSW 2064  
Australia

Quality  
ISO 9001

P +61 2 9439 6377 F +61 2 9438 2819  
sales@miller.com.au

### EUROPE

Miller Fluid Heads (Europe) Ltd.  
Unit 12A, Shepperton Business Park  
Govett Avenue, Shepperton  
Middlesex, TW17 8BA  
United Kingdom

P +44 (0) 1932 222 888 F +44 (0) 1932 222 211  
sales@millertripods-europe.com

### USA

Miller Camera Support LLC  
216 Little Falls Road (Unit 15 & 16),  
Cedar Grove, New Jersey 07009  
USA

P +1 (973) 857 8300 F +1 (973) 857 8188  
sales@millertripods.us