

## SPARE PARTS MANUAL

D7312-3

### DS-10 Fluid Head #182

Serial No.: E25100 - E26924

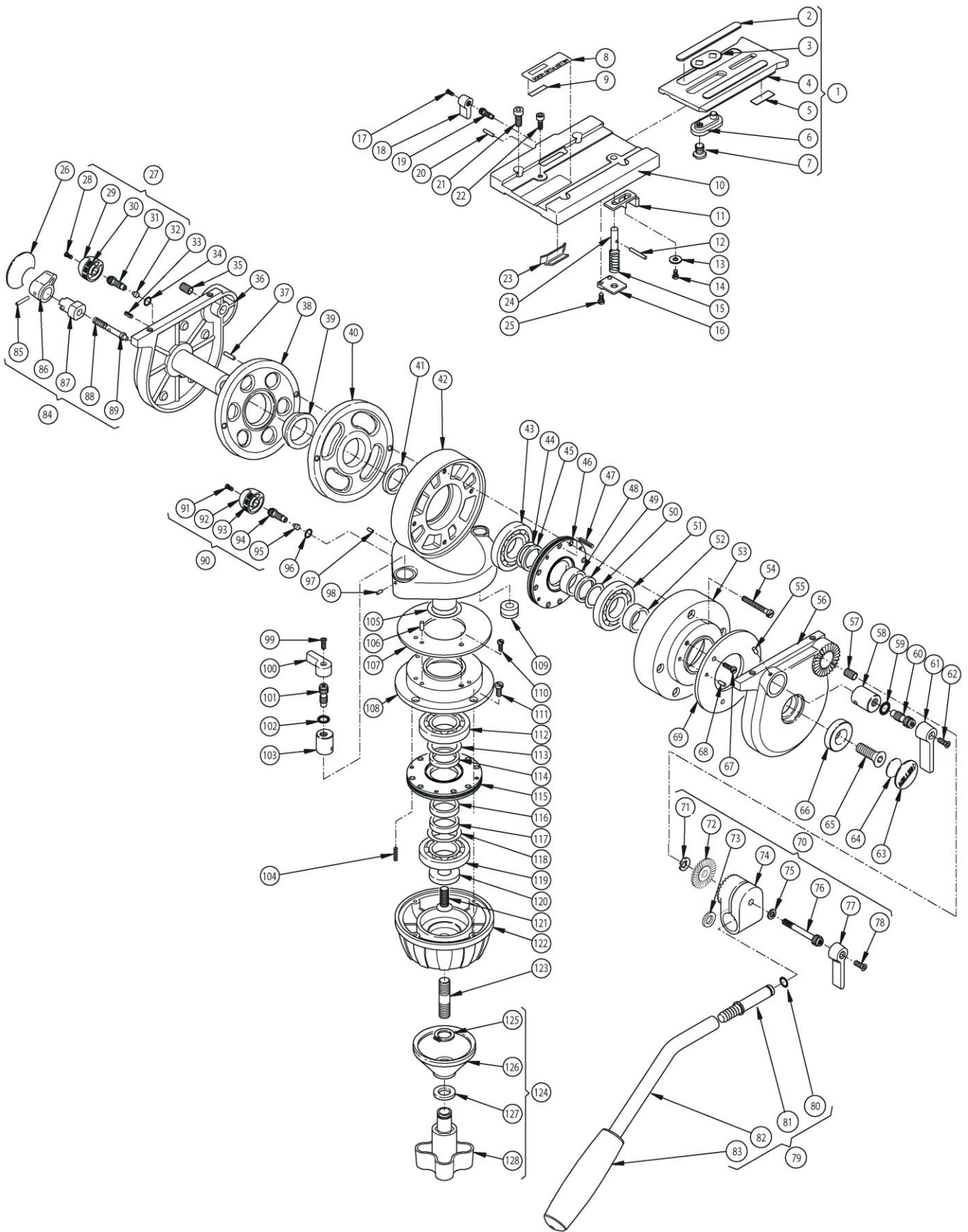


December  
2011

Miller Camera Support Equipment  
A.C.N. 000 923 464  
30 Hotham Parade  
Artarmon NSW 2064  
Australia

Tel: (61-2) 9439 6377  
Fax: (61-2) 9438 2819  
Web Site: [www.millertripods.com](http://www.millertripods.com)  
Email: [sales@miller.com.au](mailto:sales@miller.com.au)

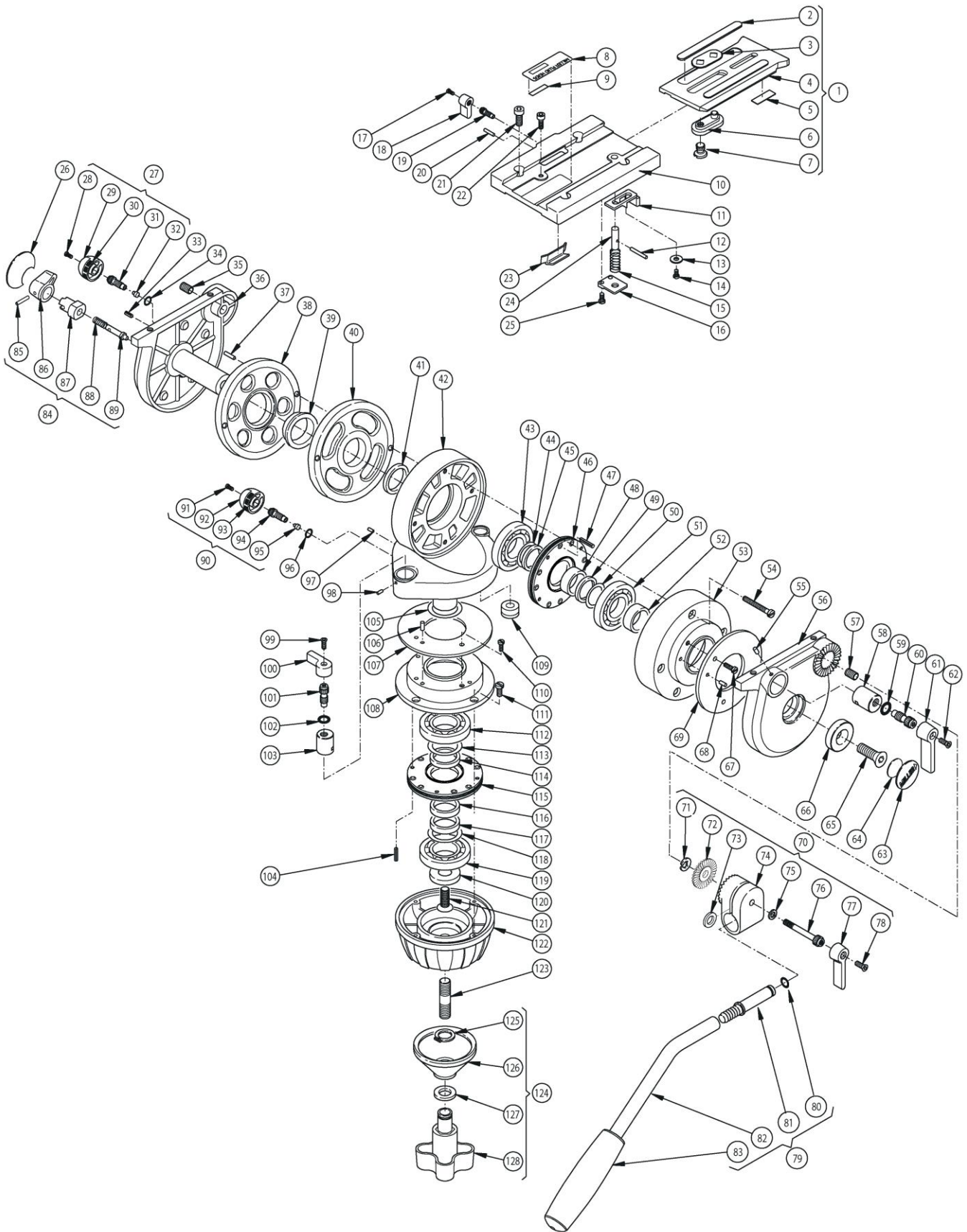
### Spare Parts Drawing.



**Spare Parts List.**

ITEM No.	PART No.	DESCRIPTION	QTY / ASSY	PRICE EACH
1	P5790	CAMERA PLATE ASS'Y Cat. # 490	1	
2	P5796	CAMERA MAT.	2	
3	P5817	CARRIAGE RETAINING WASHER	1	
4	P5794	CAMERA PLATE	1	
5	P5797	CAMERA PLATE DIRECTION LABEL	1	
6	P5812	1/4" CAMERA PLATE CARRIAGE	1	
7	P5815	1/4" CSK. CAMERA SCREW	1	
8	P1370	S/No. COVER LABEL	1	
9	P3473	DS-10 SERIAL No. LABEL	1	
10	P3517	BASE PLATE	1	
11	P3518	RELEASE PIN KNOB	1	
12	P2026	Ø2.5 x 16 SELLOCK PIN	1	
13	P2174	1/8" x 3/8" x 20g WASHER	1	
14	P0279	1/8"W x 1/4" CH/HD SCREW	1	
15	P2028	Ø6.6 x 16.75 x 25g COMP.SPRING	1	
16	P2027	SUPPORT PLATE	1	
17	P3868	M2.5 x 6 PAN PH/HD SCREW	1	
18	P3519	SLIDE LOCK KNOB	1	
19	P2019	SLIDE LOCK SCREW 19	1	
20	P2029	Ø3 x 10 DOWEL PIN	1	
21	P1313	M4 x 8 SOC. CAP SCREW	4	
22	P1832	#5-40UNC x 1/4" SOC. CAP SCREW	1	
23	P2021	SLIDE LOCK PAD	1	
24	P2024	RELEASE PIN	1	
25	P0298	1/8"W x 1/4" PAN PH/HD SCREW	2	
26	P5870	DS10 C/B SELECTOR LABEL	1	
27	P2044	DRAG CONTROL SCREW 16 ASS'Y	1	
28	P0279	1/8"W x 1/4" CH/HD SCREW	2	
29	P2037	DRAG CONTROL KNOB	2	
30	P2041	DRAG LABEL	2	
31	P2043	DRAG CONTROL SCREW 16	1	
32	P2023	FRICITION PAD	2	
33	P2042	Ø2.5 x 8 SELLOCK PIN	2	
34	P0045	Ø1/4" x 1/16" 'O' RING	4	
35	P0131	1/4"W x 1D 'RECOIL' INSERT	2	See Note
36	P8214	TILT SHAFT HOUSING	1	
37	P3885	Ø3 x 16 SELLOCK PIN	2	
38	P5862	LS C/B SPRING 7	1	
39	P5866	Ø23 x 8.10 BEARING BUSH	1	
40	P5868	LS1 C/B SPRING 7 (FIXED)	1	
41	P0123	SPACING BUSH 2.4	3	
42	P3431	MAIN BODY	1	
43	P3496	Ø42 x 20 x 8 BALL BEARING DS	4	
44	P0140	Ø27 x 20 x 0.08 SHIM WASHER	4	
45	P0188	SPACING BUSH 2	1	
46	P8138	6 PLATE CLUTCH (PLN)	1	
47	P8162	Ø3 x 14 PIN	4	
48	P0194	SPACING BUSH 10	1	
49	P0189	SPACING BUSH 3	2	
50	P0140	Ø27 x 20 x 0.08 SHIM WASHER	4	
51	P3496	Ø42 x 20 x 8 BALL BEARING DS	1	
52	P0192	SPACING BUSH 6	1	
53	P3432	TILT CENTRE HOUSING	1	
54	P0199	5/32"W x 1" RND/HD SCREW	4	

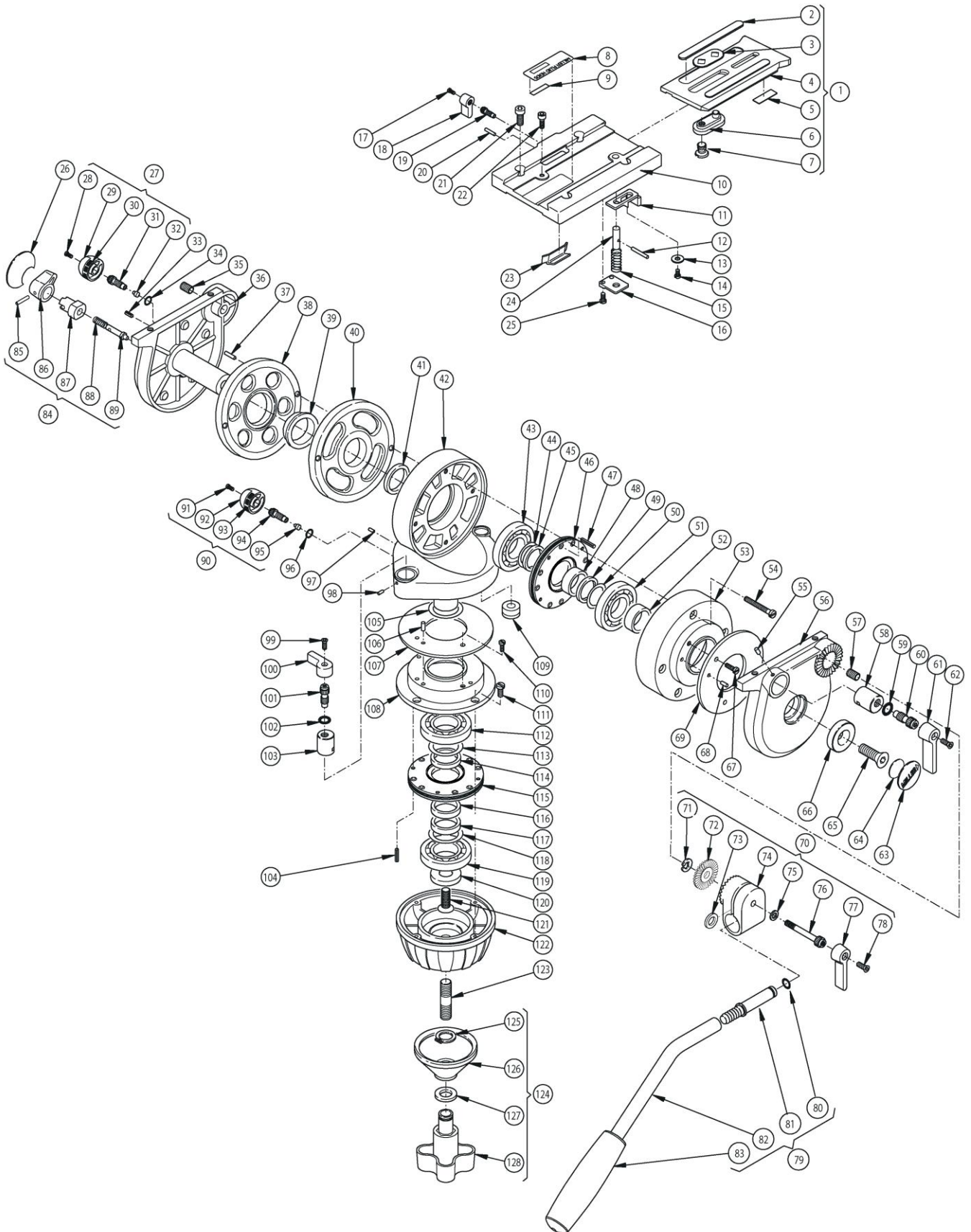
### Spare Parts Drawing.



**Spare Parts List.**

ITEM No.	PART No.	DESCRIPTION	QTY / ASSY	PRICE EACH
55	P0139	Ø3 x 8 DOWEL PIN	2	See Note
56	P8229	TILT END HOUSING	1	
57	P0131	1/4"W x 1D 'RECOIL' INSERT	2	See Note
58	P0114	LOCK CALIPER 19	1	
59	P0045	Ø1/4" x 1/16" 'O' RING	4	
60	P1819	LOCK SCREW 22.25	1	
61	P1825	SERRATED LEVER	2	
62	P0040	3/16"W x 1/2" CSK. PH/HD SCREW	2	
63	P3438	D29.4 MILLER LABEL	1	
64	P3439	Ø20 x 0.5 NYLON SPACER	1	
65	P0204	5/16"W x 3/4" CSK. SOC. SCREW	2	
66	P0127	Ø25.4 CSK. WASHER	2	
67	P0029	5/32"W x 1/4" CH/HD SCREW	6	
68	P0270	Ø3 x 8 SELLOCK PIN	4	
69	P0115	Ø70 DISC BRAKE	1	
70	P8238	Ø16 SERRATED HANDLE CLAMP ASS'Y	1	
71	P0043	7/32" 'E' CIRCLIP	1	
72	P8240	SERRATED WASHER	1	
73	P3822	Ø14 x 8 x 1.70 WASHER	1	
74	P8236	Ø16 SERRATED HANDLE CLAMP	1	
75	P0038	1/4" x 9/16" x 18g WASHER	1	
76	P8242	HANDLE CARRIER SCREW	1	
77	P1825	SERRATED LEVER	2	
78	P0040	3/16"W x 1/2" CSK. PH/HD SCREW	2	
79	P3378	Ø16 HANDLE ROD Cat. # 688	1	
80	P0363	Ø1/2" x 3/32" 'O' RING	1	
81	P3379	Ø16 x 36 HANDLE ROD INSERT	1	
82	P3224	Ø20 HANDLE TUBE	1	
83	P3210	Ø20 HANDLE GRIP	1	
84	P4259	C/B SELECTOR KNOB ASS'Y	1	
85	P4262	Ø2 x 12.85 DOWEL PIN	1	
86	P4260	C/B SELECTOR KNOB	1	
87	P4264	C/B CAM BUSH	1	
88	P3699	Ø4.7 x 13 x 25g COMP. SPRING	1	
89	P4267	C/B ENGAGING PIN	1	
90	P2045	DRAG CONTROL SCREW 18 ASS'Y	1	
91	P0279	1/8"W x 1/4" CH/HD SCREW	2	
92	P2037	DRAG CONTROL KNOB	2	
93	P2041	DRAG LABEL	2	
94	P2039	DRAG CONTROL SCREW 18	1	
95	P2023	FRICITION PAD	2	
96	P0045	Ø1/4" x 1/16" 'O' RING	4	
97	P2042	Ø2.5 x 8 SELLOCK PIN	2	
98	P0139	Ø3 x 8 DOWEL PIN	2	See Note
99	P0041	3/16"W x 3/8" CSK. PH/HD SCREW	1	
100	P1826	SERRATED LEVER	1	
101	P1815	LOCK SCREW 16.25	1	
102	P0045	Ø1/4" x 1/16" 'O' RING	4	
103	P0117	LOCK CALIPER 15	1	
104	P8162	Ø3 x 14 PIN	4	
105	P0140	Ø27 x 20 x 0.08 SHIM WASHER	4	
106	P0270	Ø3 x 8 SELLOCK PIN	4	

### Spare Parts Drawing.



**Spare Parts List.**

ITEM No.	PART No.	DESCRIPTION	QTY / ASSY	PRICE EACH
107	P0118	Ø73 DISC BRAKE	1	
108	P0104	PAN CENTRE HOUSING	1	
109	P4085	Ø12 BUBBLE LEVEL	1	
110	P0029	5/32"W x 1/4" CH/HD SCREW	6	
111	P0149	5/32"W x 3/8" CH/HD SCREW	4	
112	P3496	Ø42 x 20 x 8 BALL BEARING DS	4	
113	P0141	Ø27 x 20 x 0.25 SHIM WASHER	2	
114	P0189	SPACING BUSH 3	2	
115	P8134	5 PLATE CLUTCH (PLN)	1	
116	P0123	SPACING BUSH 2.4	3	
117	P0123	SPACING BUSH 2.4	3	
118	P0140	Ø27 x 20 x 0.08 SHIM WASHER	4	
119	P3496	Ø42 x 20 x 8 BALL BEARING DS	4	
120	P0127	Ø25.4 CSK. WASHER	2	
121	P0204	5/16"W x 3/4" CSK. SOC. SCREW	2	
122	P0105	Ø75 CLAW BALL HOUSING	1	
123	P0138	3/8"W x 54 STUD	1	
124	P2321	Ø75 BALL CLAMP ASS'Y	1	
125	P0770	Ø13 x 1 EXT. CIRCLIP	1	
126	P2322	Ø 75 BALL CLAMP	1	
127	P3844	CLAMP NUT WASHER (BLK)	1	
128	P2084	CLAMP NUT	1	

**Note : This part not sold separately.**

**'QTY/ASSY' = Total quantity for complete product assembly.**



## **SALES, SERVICE AND SUPPORT.**

This is authorised document designed and produced by Miller Camera Support Equipment.

The information contained in this document is correct at the time of publication. Miller accepts no responsibility for any possible errors that may affect information herein and reserves the right to make changes without notice to the information contained within this document.

Use only Miller Authorised Service Agents for all service and repair work. Failure to observe this requirement may void warranty. It is advisable to notify. For information regarding sales and service of Miller products or for your nearest Miller representative please contact us via our website or at the following:

### **MILLER CAMERA SUPPORT EQUIPMENT**

30 Hotham Parade, Artarmon, Sydney,

NSW 2064 Australia

Tel: +61 2 9439 6377

Fax: +61 2 9438 2819

Email: [sales@miller.com.au](mailto:sales@miller.com.au)

### **MILLER CAMERA SUPPORT (LLC) USA**

216 Little Falls Road (Unit 15 & 16),

Cedar Grove, New Jersey 07009 USA

Tel: (973) 857 8300

Fax: (973) 857 8188

Email: [sales@millertripods.us](mailto:sales@millertripods.us)

### **MILLER FLUID HEADS (EUROPE) LTD.**

Unit 12A, Shepperton Business Park

Govett Avenue, Shepperton

Middlesex TW17 8BA,

United Kingdom

Tel: +44 (0)1932 222 888 Fax: +44 (0)1932 222 211

Email: [sales@millertripods-europe.com](mailto:sales@millertripods-europe.com)

**[www.millertripods.com](http://www.millertripods.com)**