

SPARE PARTS MANUAL

D7876-1

Compass 15 Fluid Head #1034

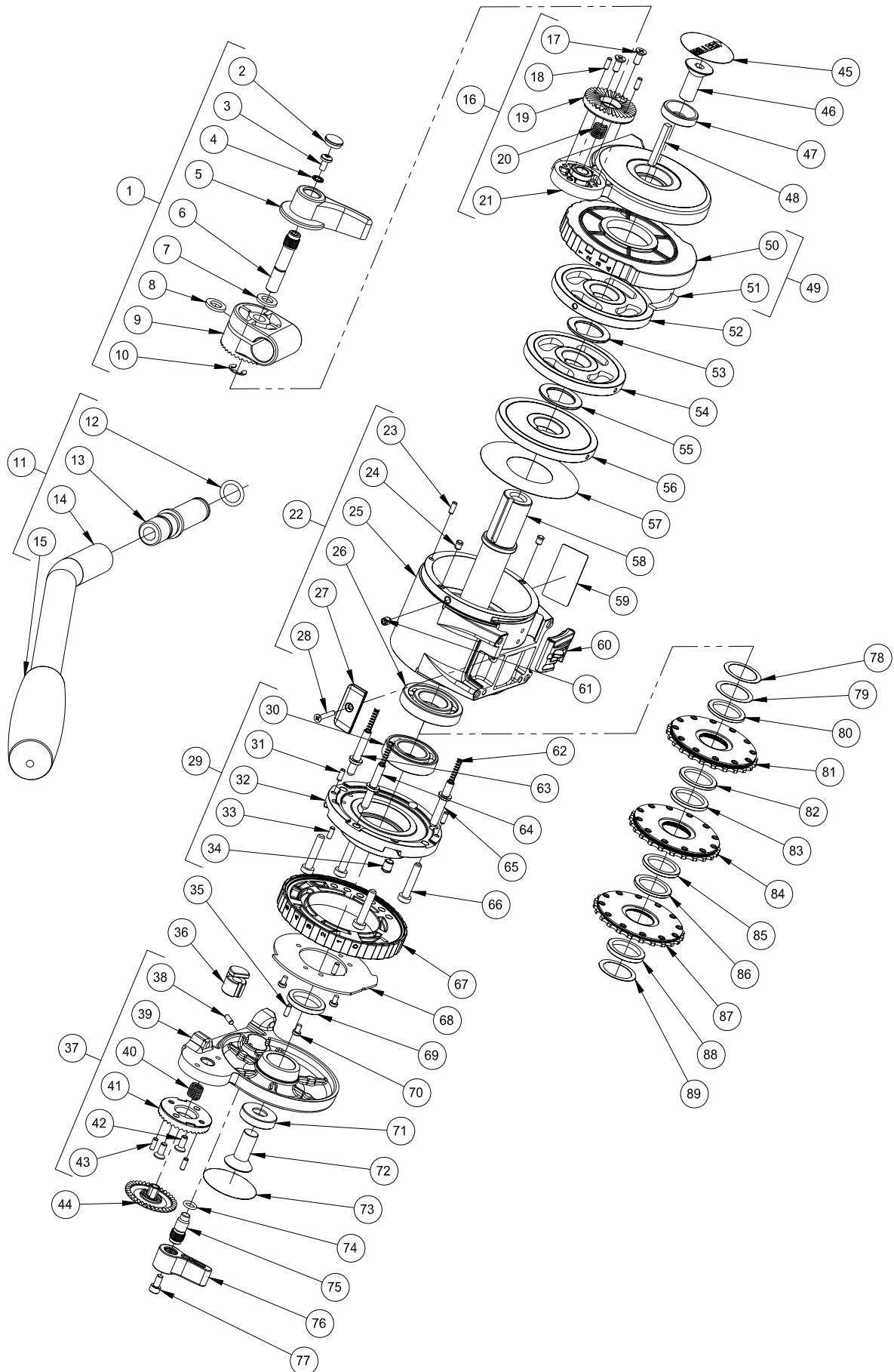
Serial No.: C20001 - C20251



August
2009

Miller Camera Support Equipment
A.C.N. 000 923 464
30 Hotham Parade
Artarmon NSW 2064
Australia

Tel: + 61 2 9439 6377
Fax: + 61 2 9438 2819
Web Site: www.millertripods.com
Email: sales@miller.com.au

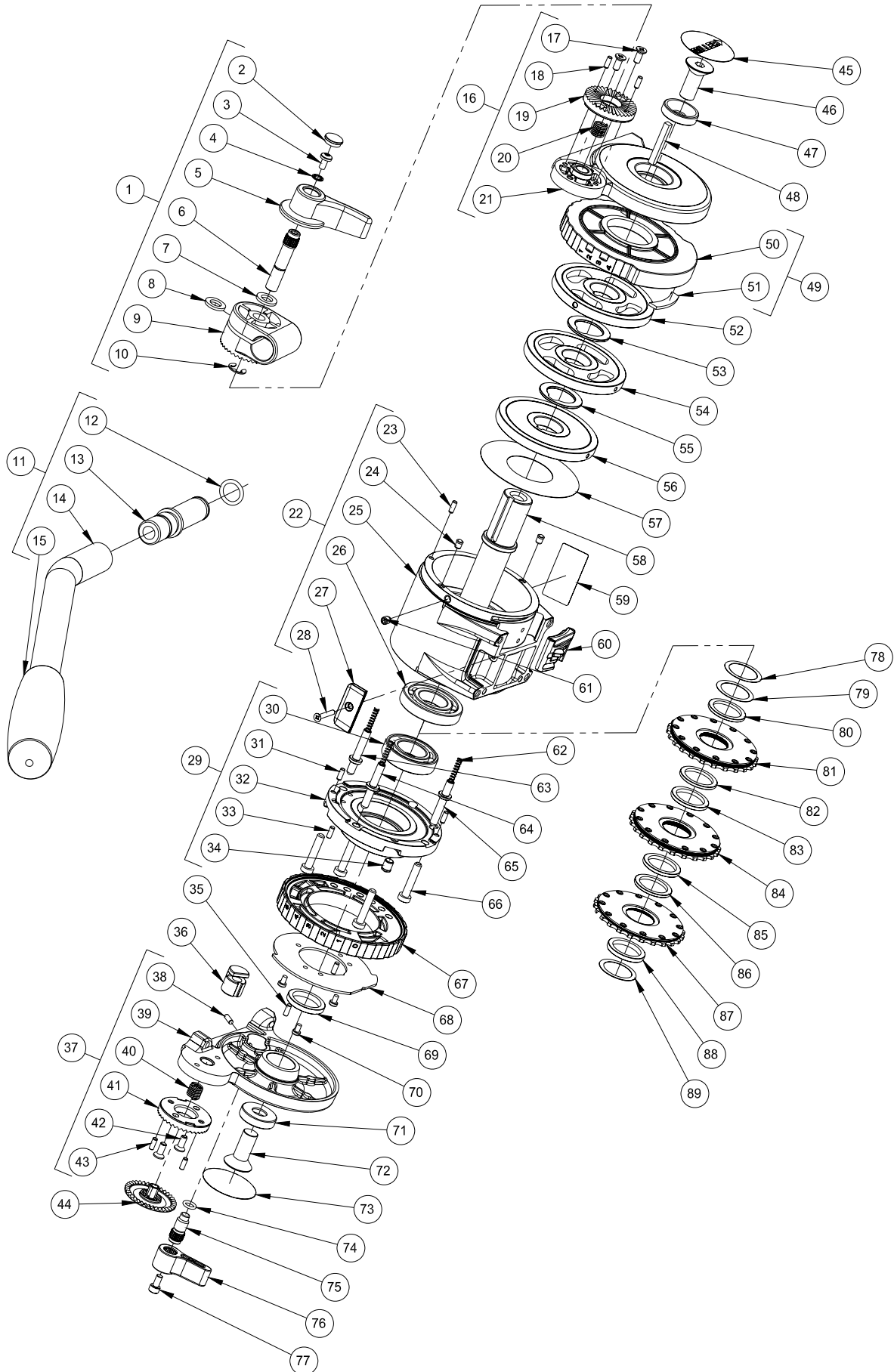
Tilt Spare Parts Drawing.

Tilt Spare Parts List.

ITEM No.	PART No.	DESCRIPTION	QTY / ASSY	PRICE EACH
1	P6201	Ø 16 SERRATED HANDLE CLAMP ASS'Y	1	
2	P3729	LEVER CAP	1	
3	P2153	M4 x 8 POZI PAN/HD SCREW	1	
4	P1314	M4 INT. LOCK WASHER	1	
5	P3817	HANDLE CLAMP LEVER	1	
6	P3815	HANDLE CARRIER SCREW	1	
7	P3825	Ø 15.90 x 8.10 x 1.70 WASHER	1	
8	P3822	Ø 14 x 8 x 1.70 WASHER	1	
9	P6200	Ø 16 SERR. HANDLE CLAMP (BLK)	1	
10	P3820	Ø 7 "E" CIRCLIP	1	
11	P3377	Ø 16 HANDLE ROD Cat. # 689	1	
12	P0363	Ø 1/2" x 3/32" 'O' RING	1	
13	P3382	Ø 16 x 42 HANDLE ROD INSERT	1	See Note
14	P3224	Ø 20 x 1.6 x 355 TUBE	1	See Note
15	P3210	Ø 20 HANDLE GRIP	1	See Note
16	P7566	RH TILT END HOUSING ASS'Y	1	
17	P3812	M4 x 10 CSK. PH/HEAD SCREW	4	
18	P0139	Ø 3 x 8 DOWEL PIN	17	
19	P6202	SERRATED BOSS	2	
20	P3813	M8 x 1D "RECOIL" INSERT	2	See Note
21	P7571	RH TILT END HOUSING	1	See Note
22	P7523	TILT HOUSING ASS'Y	1	
23	P0139	Ø 3 x 8 DOWEL PIN	17	See Note
24	P7693	SPRING PLUNGER K4	2	See Note
25	P7528	TILT HOUSING	1	See Note
26	P0112	Ø 42 x 20 x 8 BALL BEARING	1	
27	P7709	BATTERY DOOR	1	
28	P3696	M3 x 20 CSK. PH/HEAD SCREW	1	
29	P7532	TILT CENTRE HOUSING ASS'Y	1	
30	P3655	Ø 37 x 20 x 9 BALL BEARING	1	
31	P0139	Ø 3 x 8 DOWEL PIN	17	See Note
32	P7536	TILT CENTRE HOUSING	1	See Note
33	P0139	Ø 3 x 8 DOWEL PIN	17	See Note
34	P3769	SPRING PLUNGER K6	2	See Note
35	P0139	Ø 3 x 8 DOWEL PIN	17	See Note
36	P7685	LOCK CALIPER 16.50	1	
37	P7556	LH TILT END HOUSING ASS'Y	1	
38	P0139	Ø 3 x 8 DOWEL PIN	17	See Note
39	P7562	LH TILT END HOUSING	1	See Note
40	P3813	M8 x 1D "RECOIL" INSERT	2	See Note
41	P6202	SERRATED BOSS (BLK)	2	
42	P3812	M4 x 10 CSK. PH/HEAD SCREW	4	
43	P0139	Ø 3 x 8 DOWEL PIN	17	
44	P6203	Ø 36 SERRATED BOSS CAP (BLK)	1	

Note : This part not sold separately.

'QTY/ASSY' = Total quantity for complete product assembly.

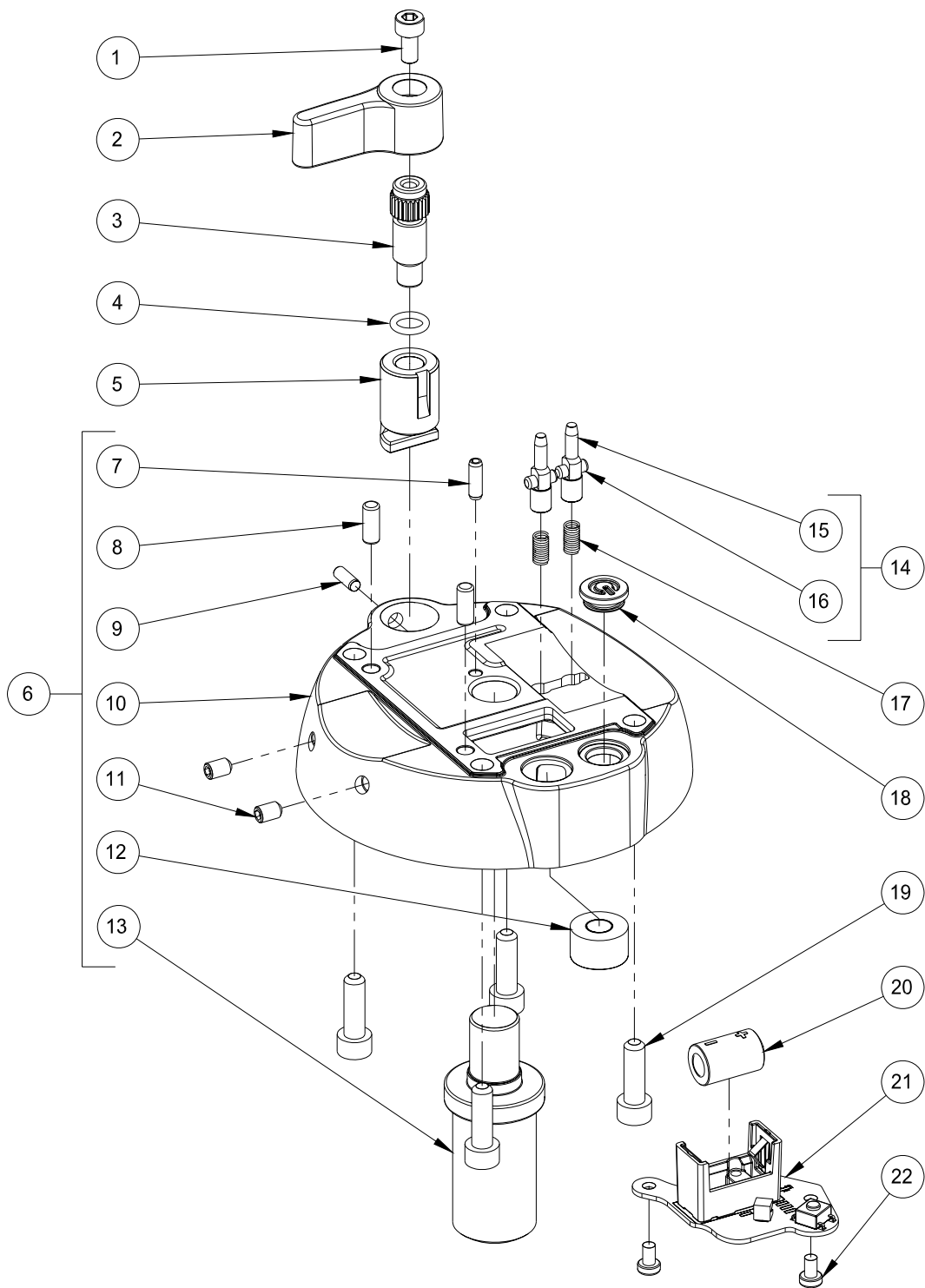
Tilt Spare Parts Drawing.

Tilt Spare Parts List.

ITEM No.	PART No.	DESCRIPTION	QTY / ASSY	PRICE EACH
45	P3831	Ø 37.3 MILLER LABEL	2	
46	P5089	M10 x 25 CSK. SOC. SCREW	3	
47	P5090	Ø 25 CSK. WASHER	3	
48	P3648	4 x 31 KEY	1	
49	P7554	C/B SELECTOR RING ASS'Y	1	
50	P7549	C/B SELECTOR RING	1	
51	P7553	C/B CAM PAD	1	
52	P7634	C/B SPRING 7 (FIXED)	1	
53	P3714	Ø 30 x 1.5 SPACER	2	
54	P7632	C/B SPRING 7	1	
55	P3714	Ø 30 x 1.5 SPACER	2	
56	P7635	C/B SPRING 7	1	
57	P3725	Ø 69 x 32.5 x 0.25 C/B WASHER	1	
58	P7590	TILT SHAFT	1	
59	P7782	COMPASS 15 LABEL	1	
60	P7551	C/B CAM	1	
61	P3722	M5 x 6 SOC. SET SCREW (HD)	1	
62	P0178	Ø 3.86 x 19.6 x 24g COMP.SPRING	6	
63	P7622	TILT CAM-FOLLOWER PIN #1	1	
64	P7623	TILT CAM-FOLLOWER PIN #2	1	
65	P7624	TILT CAM-FOLLOWER PIN #3	1	
66	P7627	M5 x 25 LOW HEAD SOC.CAP SCREW	4	
67	P7543	TILT DRAG SELECTOR RING	1	
68	P7683	TILT LOCK DISC	1	
69	P0135	SPACING BUSH 3.5	1	
70	P3787	M3 x 5 POZI PAN/HD SCREW	10	
71	P5090	Ø 25 CSK. WASHER	3	
72	P5089	M10 x 25 CSK. SOC. SCREW	3	
73	P3831	Ø 37.3 MILLER LABEL	2	
74	P0045	Ø 1/4" x 1/16" 'O' RING	2	
75	P7687	LOCK SCREW 21.10	1	
76	P7689	PAN / TILT LOCK LEVER	2	
77	P7691	M4 x 8 SOC. CAP SCREW	2	
78	P0141	Ø 27 x 20 x 0.25 SHIM WASHER	6	
79	P0141	Ø 27 x 20 x 0.25 SHIM WASHER	6	
80	P0188	SPACING BUSH 2	6	
81	P5508	6 PLATE CLUTCH (SERR.)	4	
82	P3983	2.4 SPACING BUSH	4	
83	P0188	SPACING BUSH 2	6	
84	P5508	6 PLATE CLUTCH (SERR.)	4	
85	P3983	2.4 SPACING BUSH	4	
86	P0188	SPACING BUSH 2	6	
87	P5504	3 PLATE CLUTCH (SERR.)	2	
88	P3988	3.0 SPACING BUSH	2	
89	P0141	Ø 27 x 20 x 0.25 SHIM WASHER	6	

Note : This part not sold separately.

'QTY/ASSY' = Total quantity for complete product assembly.

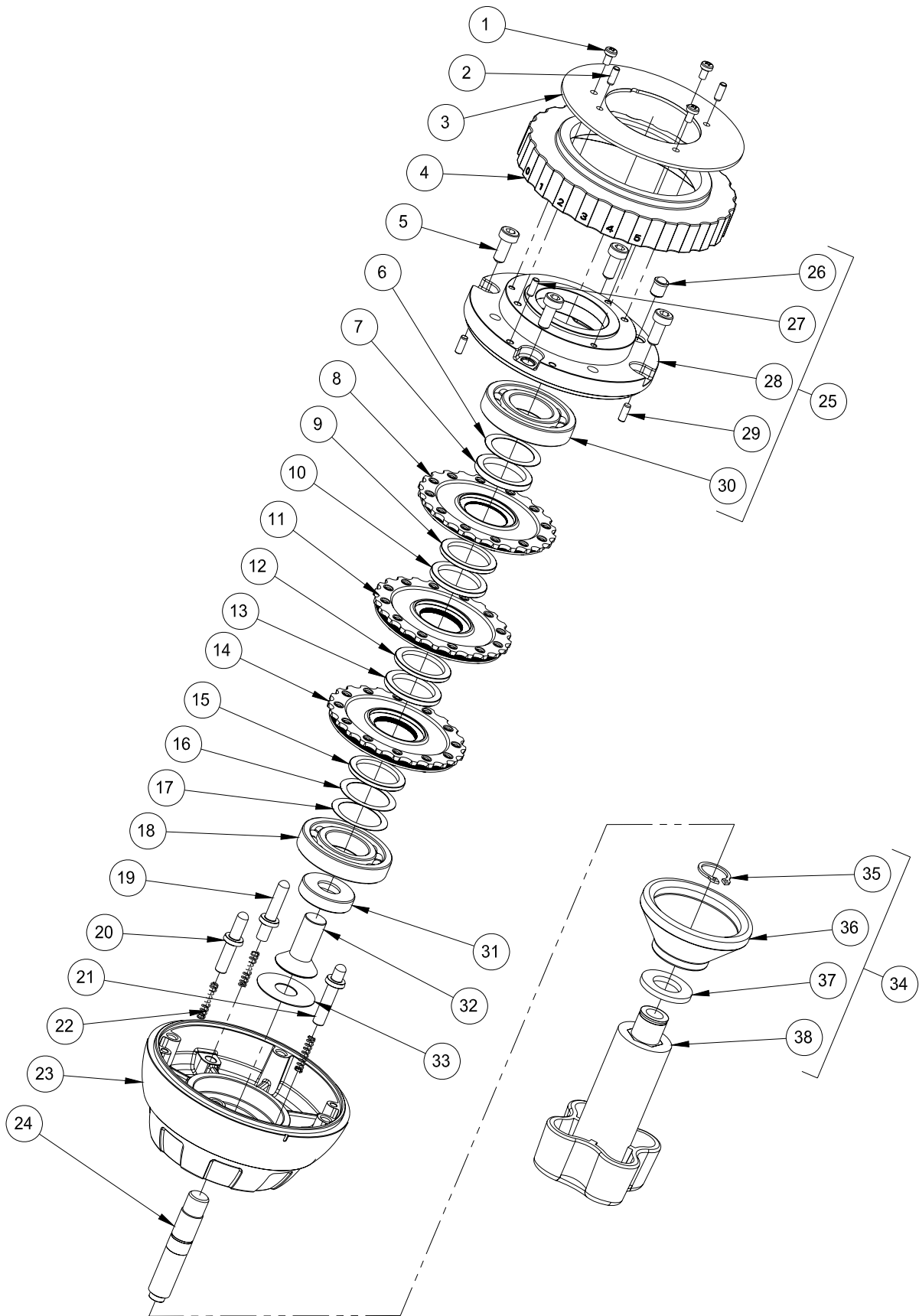
Pan Shaft Spare Parts Drawing.

Pan Shaft Spare Parts List.

ITEM No.	PART No.	DESCRIPTION	QTY / ASSY	PRICE EACH
1	P7691	M4 x 8 SOC. CAP SCREW	2	
2	P7689	PAN / TILT LOCK LEVER	2	
3	P7729	LOCK SCREW 27.20	1	
4	P0045	Ø 1/4" x 1/16" 'O' RING	2	
5	P7727	LOCK CALIPER 22.60	1	
6	P7578	PAN SHAFT HOUSING ASS'Y	1	
7	P0270	Ø 3 x 8 SELLOCK PIN	1	See Note
8	P3649	Ø 4 x 10 DOWEL PIN	2	See Note
9	P0139	Ø 3 x 8 DOWEL PIN	17	See Note
10	P7585	PAN HOUSING	1	See Note
11	P3252	M4 x 6 SOC. SET SCREW (KP)	2	
12	P6921	Ø 14 BUBBLE LEVEL (CLEAR)	1	See Note
13	P7587	PAN SHAFT	1	See Note
14	P7675	C/B ENGAGING PIN ASS'Y	2	
15	P7677	C/B ENGAGING PIN	2	See Note
16	P7679	C/B CAM-FOLLOWER PIN	2	See Note
17	P4838	Ø 3.8 x 15 x 0.45 COMP. SPRING	3	
18	P7711	LED BUTTON	1	
19	P4207	M5 x 16 SOC. CAP SCREW	8	
20	P7715	6V BATTERY	1	
21	P7700	PRINTED CIRCUIT BOARD ASS'Y	1	
22	P3787	M3 x 5 POZI PAN/HD SCREW	10	

Note : This part not sold separately.

'QTY/ASSY' = Total quantity for complete product assembly.

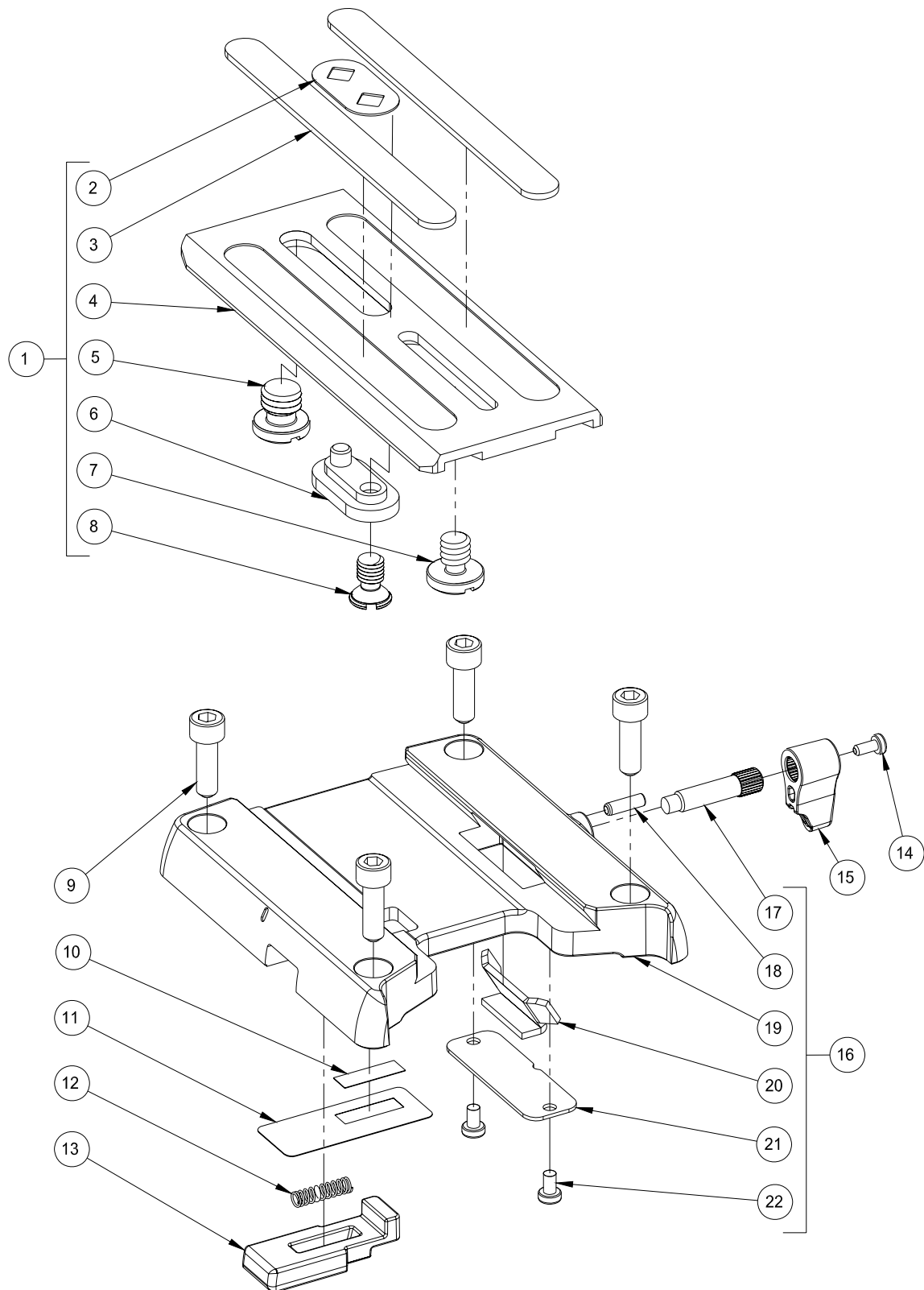
Pan Spare Parts Drawing.

Pan Spare Parts List.

ITEM No.	PART No.	DESCRIPTION	QTY / ASSY	PRICE EACH
1	P3787	M3 x 5 POZI PAN/HD SCREW	10	
2	P0139	Ø 3 x 8 DOWEL PIN	17	
3	P7725	PAN LOCK DISC	1	
4	P7617	PAN DRAG SELECTOR RING	1	
5	P4633	M5 x 12 LOW HEAD SOC.CAP SCREW	4	
6	P0141	Ø 27 x 20 x 0.25 SHIM WASHER	6	
7	P3988	3.0 SPACING BUSH	2	
8	P5504	3 PLATE CLUTCH (SERR.)	2	
9	P0188	SPACING BUSH 2	6	
10	P3983	2.4 SPACING BUSH	4	
11	P5508	6 PLATE CLUTCH (SERR.)	4	
12	P0188	SPACING BUSH 2	6	
13	P3983	2.4 SPACING BUSH	4	
14	P5508	6 PLATE CLUTCH (SERR.)	4	
15	P0188	SPACING BUSH 2	6	
16	P0141	Ø 27 x 20 x 0.25 SHIM WASHER	6	
17	P0141	Ø 27 x 20 x 0.25 SHIM WASHER	6	
18	P0112	Ø 42 x 20 x 8 BALL BEARING	3	
19	P7721	PAN CAM-FOLLOWER PIN #3	1	
20	P7720	PAN CAM-FOLLOWER PIN #2	1	
21	P7719	PAN CAM-FOLLOWER PIN #1	1	
22	P0178	Ø 3.86 x 19.6 x 24g COMP.SPRING	6	
23	P7612	Ø 75 CLAW BALL HOUSING	1	
24	P7734	M10 x 54 STUD	1	
25	P7600	PAN CENTRE HOUSING ASS'Y	1	
26	P3769	SPRING PLUNGER K6	2	See Note
27	P0139	Ø 3 x 8 DOWEL PIN	17	See Note
28	P7604	PAN CENTRE HOUSING	1	See Note
29	P0139	Ø 3 x 8 DOWEL PIN	17	See Note
30	P0112	Ø 42 x 20 x 8 BALL BEARING	3	
31	P5090	Ø 25 CSK. WASHER	3	
32	P5089	M10 x 25 CSK. SOC. SCREW	3	
33	P4215	Ø 27 x 10.30 x 0.25 NYLON WASHER	1	
34	P7850	Ø 75 M10 CLAMP NUT ASS'Y	1	
35	P0770	Ø 13 x 1 EXT. CIRCLIP	1	
36	P2322	Ø 75 BALL CLAMP	1	
37	P6953	CLAMP NUT WASHER (GRY)	1	
38	P3845	M10 CLAMP NUT	1	

Note : This part not sold separately.

'QTY/ASSY' = Total quantity for complete product assembly.

Camera Plate Spare Parts Drawing.

Camera Plate Spare Parts List.

ITEM No.	PART No.	DESCRIPTION	QTY / ASSY	PRICE EACH
1	P7792	CAMERA PLATE ASS'Y Cat. # 1204	1	See Note
2	P5817	CARRIAGE RETAINING WASHER	1	
3	P5796	CAMERA MAT.	2	
4	P7794	CAMERA PLATE	1	
5	P0037	3/8" CAMERA SCREW	1	
6	P5812	1/4" CAMERA PLATE CARRIAGE	1	
7	P0036	1/4" CAMERA SCREW	1	
8	P5815	1/4" CSK. CAMERA SCREW	1	
9	P4207	M5 x 16 SOC. CAP SCREW	8	
10	P7783	COMPASS 15 SERIAL No. LABEL	1	
11	P1370	"S/NO. COVER" LABEL	1	
12	P4838	Ø 3.8 x 15 x 0.45 COMP. SPRING	3	
13	P7833	RELEASE KNOB	1	
14	P3868	M2.5 x 6 PAN PH/HD SCREW	1	
15	P7827	SLIDE LOCK LEVER	1	
16	P7809	BASE PLATE ASS'Y	1	
17	P7829	SLIDE LOCK SCREW 26.50	1	
18	P2029	Ø 3 x 10 DOWEL PIN (BLK.)	1	
19	P7813	BASE PLATE	1	
20	P2021	SLIDE LOCK PAD	1	
21	P7835	SUPPORT PLATE	1	
22	P3787	M3 x 5 POZI PAN/HD SCREW	10	

Note : This part not sold separately.

'QTY/ASSY' = Total quantity for complete product assembly.



SALES, SERVICE AND SUPPORT.

This is authorised document designed and produced by Miller Camera Support Equipment.

The information contained in this document is correct at the time of publication. Miller accepts no responsibility for any possible errors that may affect information herein and reserves the right to make changes without notice to the information contained within this document.

Use only Miller Authorised Service Agents for all service and repair work. Failure to observe this requirement may void warranty. It is advisable to notify. For information regarding sales and service of Miller products or for your nearest Miller representative please contact us via our website or at the following:

MILLER CAMERA SUPPORT EQUIPMENT

30 Hotham Parade, Artarmon, Sydney,

NSW 2064 Australia

Tel: +61 2 9439 6377

Fax: +61 2 9438 2819

Email: sales@miller.com.au

MILLER FLUID HEADS (EUROPE) LTD.

Unit 12A, Shepperton Business Park

Govett Avenue, Shepperton,

Middlesex TW17 8BA UK

Tel: +44 (0)1932 222 888 Fax: +44 (0)1932 222 211

Email: sales@millertripods-europe.com

MILLER CAMERA SUPPORT LLC (USA)

218 Little Falls Road, Cedar Grove,

New Jersey 07009-1231 USA

Tel: +1 (973) 857 8300

Fax: +1 (973) 857 8188

Email: sales@millertripods.us

www.millertripods.com