

SPARE PARTS MANUAL

D3574-3

DS-20 Fluid Head #184

Serial No.: D16921 - D19863

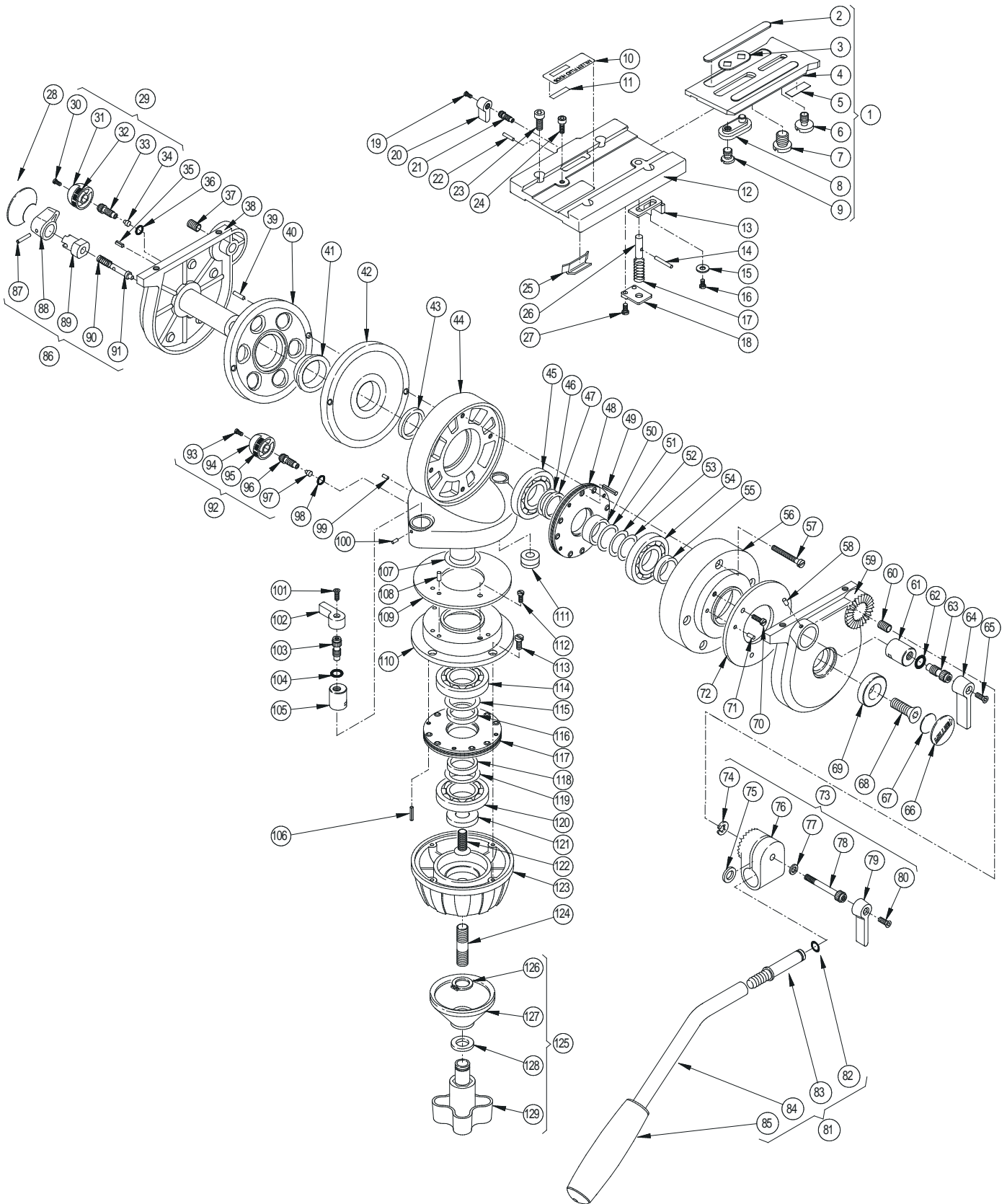


July
2003

Miller Camera Support Equipment
A.C.N. 000 923 464
30 Hotham Parade
Artarmon NSW 2064
Australia

Tel: (61-2) 9439 6377
Fax: (61-2) 9438 2819
Web Site: www.millertipods.com
Email: sales@miller.com.au

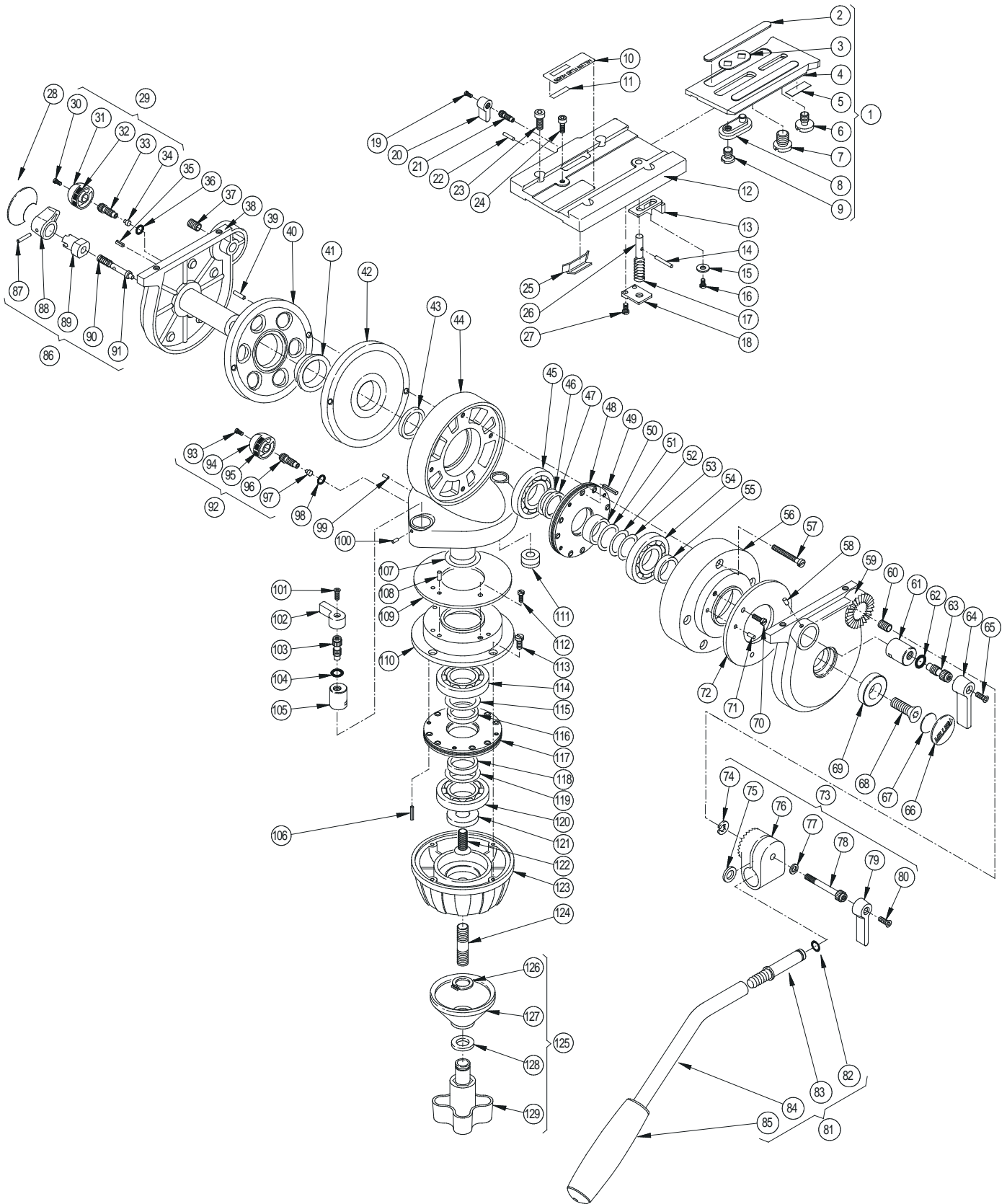
Spare Parts Drawing.



Spare Parts List.

ITEM No.	PART No.	DESCRIPTION	QTY / ASSY	PRICE EACH
1	P5789	CAMERA PLATE ASS'Y Cat. # 489	1	
2	P5796	CAMERA MAT.	2	
3	P5817	CARRIAGE RETAINING WASHER	1	
4	P5794	CAMERA PLATE	1	
5	P5797	CAMERA PLATE DIRECTION LABEL	1	
6	P0038	1/4" CAMERA SCREW	1	
7	P0037	3/8" CAMERA SCREW	1	
8	P5812	1/4" CAMERA PLATE CARRIAGE	1	
9	P5815	1/4" CSK. CAMERA SCREW	1	
10	P1370	S/No. COVER LABEL	1	
11	P3474	DS-20 SERIAL No. LABEL	1	
12	P3517	BASE PLATE	1	
13	P3518	RELEASE PIN KNOB	1	
14	P2026	Ø2.5 x 16 SELLOCK PIN	1	
15	P2174	1/8" x 3/8" x 20g WASHER	1	
16	P0279	1/8"W x 1/4" CH/HEAD SCREW	1	
17	P2028	Ø6.6 x 16.75 x 25g COMP.SPRING	1	
18	P2027	SUPPORT PLATE	1	
19	P3868	M2.5 x 6 PAN PH/HD SCREW	1	
20	P3519	SLIDE LOCK KNOB	1	
21	P2019	SLIDE LOCK SCREW 19	1	
22	P2029	Ø3 x 10 DOWEL PIN	1	
23	P1313	M4 x 8 SOC. CAP SCREW	4	
24	P1832	#5-40UNC x 1/4" SOC. CAP SCREW	1	
25	P2021	SLIDE LOCK PAD	1	
26	P2024	RELEASE PIN	1	
27	P0298	1/8"W x 1/4" PAN PH/HD SCREW	2	
28	P5871	DS20 C/B SELECTOR LABEL	1	
29	P2044	DRAG CONTROL SCREW 16 ASS'Y	1	
30	P0279	1/8"W x 1/4" CH/HD SCREW	2	
31	P2037	DRAG CONTROL KNOB	2	
32	P2041	DRAG LABEL	2	
33	P2043	DRAG CONTROL SCREW 16	1	
34	P2023	FRICITION PAD	2	
35	P2042	Ø2.5 x 8 SELLOCK PIN	2	
36	P0045	Ø1/4" x 1/16" 'O' RING	4	
37	P0131	1/4"W x 1D 'RECOIL' INSERT	4	See Note
38	P5859	TILT SHAFT HOUSING	1	
39	P3885	Ø3 x 16 SELLOCK PIN	2	
40	P5862	LS C/B SPRING 7	1	
41	P5866	Ø23 x 8.10 BEARING BUSH	1	
42	P5860	C/B SPRING 7 (FIXED)	1	
43	P0123	SPACING BUSH 2.4	1	
44	P3431	MAIN BODY	1	
45	P3496	Ø42 x 20 x 8 BALL BEARING DS	4	
46	P0140	Ø27 x 20 x 0.08 SHIM WASHER	5	
47	P0188	SPACING BUSH 2	2	
48	P1930	9 PLATE CLUTCH (PLN)	1	
49	P0134	Ø3 x 14 SELLOCK PIN	4	
50	P0194	SPACING BUSH 10	1	
51	P0141	Ø27 x 20 x 0.25 SHIM WASHER	2	
52	P0140	Ø27 x 20 x 0.08 SHIM WASHER	5	

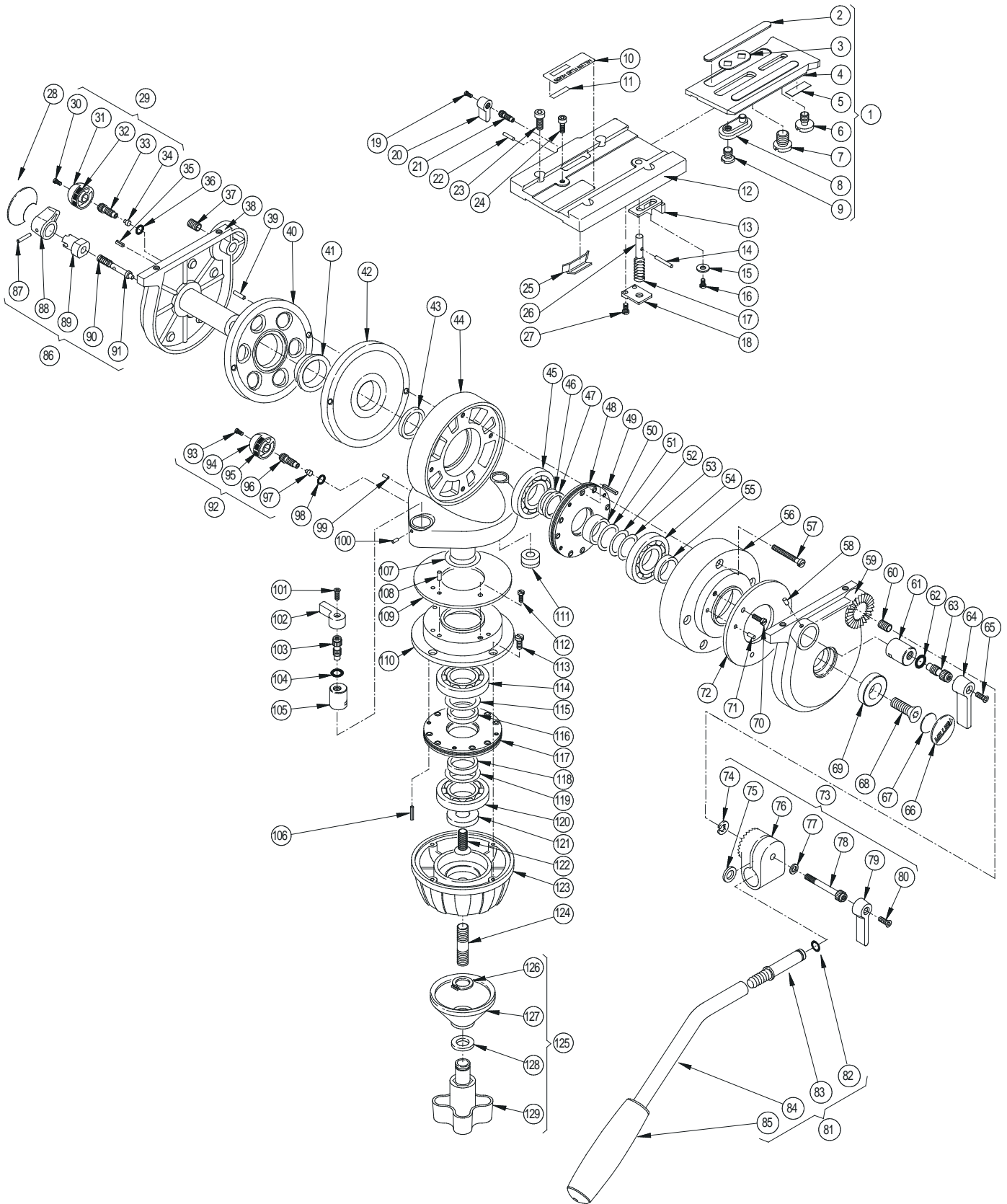
Spare Parts Drawing.



Spare Parts List.

ITEM No.	PART No.	DESCRIPTION	QTY / ASSY	PRICE EACH
53	P0140	Ø27 x 20 x 0.08 SHIM WASHER	5	
54	P3496	Ø42 x 20 x 8 BALL BEARING DS	4	
55	P0192	SPACING BUSH 6	1	
56	P3432	TILT CENTRE HOUSING	1	
57	P0199	5/32"W x 1" RND/HD SCREW	4	
58	P0139	Ø3 x 8 DOWEL PIN	2	See Note
59	P3434	TILT END HOUSING	1	
60	P0131	1/4"W x 1D 'RECOIL' INSERT	2	See Note
61	P0114	LOCK CALIPER 19	1	
62	P0045	Ø1/4" x 1/16" 'O' RING	4	
63	P1819	LOCK SCREW 22.25	1	
64	P1825	SERRATED LEVER	2	
65	P0040	3/16"W x 1/2" CSK. PH/HD SCREW	2	
66	P3438	D29.4 MILLER LABEL	1	
67	P3439	Ø 20 x 0.5 NYLON SPACER	1	
68	P0204	5/16"W x 3/4" CSK. SOC. SCREW	2	
69	P0127	Ø25.4 CSK. WASHER	2	
70	P0029	5/32"W x 1/4" CH/HD SCREW	6	
71	P0270	Ø3 x 8 SELLOCK PIN	4	
72	P0115	Ø70 DISC BRAKE	1	
73	P3436	Ø16 SERRATED HANDLE CLAMP ASS'Y	1	
74	P0043	7/32" 'E' CIRCLIP	1	
75	P3822	Ø14 x 8 x 1.70 WASHER	1	
76	P3435	Ø16 SERRATED HANDLE CLAMP	1	
77	P0038	1/4" x 9/16" x 18g WASHER	1	
78	P1830	HANDLE CARRIER SCREW	1	
79	P1825	SERRATED LEVER	2	
80	P0040	3/16"W x 1/2" CSK. PH/HD SCREW	2	
81	P3378	Ø16 HANDLE ROD Cat. # 688	1	
82	P0363	Ø1/2" x 3/32" 'O' RING	1	
83	P3379	Ø16 x 36 HANDLE ROD INSERT	1	
84	P3224	Ø20 HANDLE TUBE	1	
85	P3210	Ø20 HANDLE GRIP	1	
86	P4259	C/B SELECTOR KNOB ASS'Y	1	
87	P4262	Ø2 x 12.85 DOWEL PIN	1	
88	P4260	C/B SELECTOR KNOB	1	
89	P4264	C/B CAM BUSH	1	
90	P3699	Ø4.7 x 13 x 25g COMP. SPRING	1	
91	P4267	C/B ENGAGING PIN	1	
92	P2045	DRAG CONTROL SCREW 18 ASS'Y	1	
93	P0279	1/8"W x 1/4" CH/HD SCREW	2	
94	P2037	DRAG CONTROL KNOB	2	
95	P2041	DRAG LABEL	2	
96	P2039	DRAG CONTROL SCREW 18	1	
97	P2023	FRICITION PAD	2	
98	P0045	Ø1/4" x 1/16" 'O' RING	4	
99	P2042	Ø2.5 x 8 SELLOCK PIN	2	
100	P0139	Ø3 x 8 DOWEL PIN	2	See Note
101	P0041	3/16"W x 3/8" CSK. PH/HD SCREW	1	
102	P1826	SERRATED LEVER	1	
103	P1815	LOCK SCREW 16.25	1	
104	P0045	Ø1/4" x 1/16" 'O' RING	4	

Spare Parts Drawing.



Spare Parts List.

ITEM No.	PART No.	DESCRIPTION	QTY / ASSY	PRICE EACH
105	P0117	LOCK CALIPER 15	1	
106	P0134	Ø3 x 14 SELLOCK PIN	4	
107	P0140	Ø27 x 20 x 0.08 SHIM WASHER	5	
108	P0270	Ø3 x 8 SELLOCK PIN	4	
109	P0118	Ø73 DISC BRAKE	1	
110	P0104	PAN CENTRE HOUSING	1	
111	P4085	Ø12 BUBBLE LEVEL	1	
112	P0029	5/32"W x 1/4" CH/HD SCREW	6	
113	P0149	5/32"W x 3/8" CH/HD SCREW	4	
114	P3496	Ø42 x 20 x 8 BALL BEARING DS	4	
115	P0141	Ø27 x 20 x 0.25 SHIM WASHER	2	
116	P0189	SPACING BUSH 3	2	
117	P4557	6 PLATE CLUTCH (PLN)	1	
118	P0135	SPACING BUSH 3.5	1	
119	P0140	Ø27 x 20 x 0.08 SHIM WASHER	5	
120	P3496	Ø42 x 20 x 8 BALL BEARING DS	4	
121	P0127	Ø25.4 CSK. WASHER	2	
122	P0204	5/16"W x 3/4" CSK. SOC. SCREW	2	
123	P0105	Ø75 CLAW BALL HOUSING	1	
124	P0138	3/8"W x 54 STUD	1	
125	P2321	Ø75 BALL CLAMP ASS'Y	1	
126	P0770	Ø13 x 1 EXT. CIRCLIP	1	
127	P2322	Ø75 BALL CLAMP	1	
128	P3844	CLAMP NUT WASHER (BLK)	1	
129	P2084	CLAMP NUT	1	

Note : This part not sold separately.

'QTY/ASSY' = Total quantity for complete product assembly.



SALES, SERVICE AND SUPPORT.

This is authorised document designed and produced by Miller Camera Support Equipment.

The information contained in this document is correct at the time of publication. Miller accepts no responsibility for any possible errors that may affect information herein and reserves the right to make changes without notice to the information contained within this document.

Use only Miller Authorised Service Agents for all service and repair work. Failure to observe this requirement may void warranty. It is advisable to notify. For information regarding sales and service of Miller products or for your nearest Miller representative please contact us via our website or at the following:

MILLER CAMERA SUPPORT EQUIPMENT

30 Hotham Parade, Artarmon, Sydney,

NSW 2064 Australia

Tel: +61 2 9439 6377

Fax: +61 2 9438 2819

Email: sales@miller.com.au

MILLER CAMERA SUPPORT (LLC) USA

218 Little Falls Road, Cedar Grove,

New Jersey 07009-1231 USA

Tel: (973) 857 8300

Fax: (973) 857 8188

Email: sales@millertripods.us

MILLER FLUID HEADS (EUROPE) LTD.

Unit A2, Ford Lane Industrial Estate

Ford Lane, Ford

West Sussex BN18 0DF,

United Kingdom

Tel: +44 (0)1243 555255 Fax: +44 (0)1243 555 001

Email: sales@millertripods-europe.com

www.millertripods.com