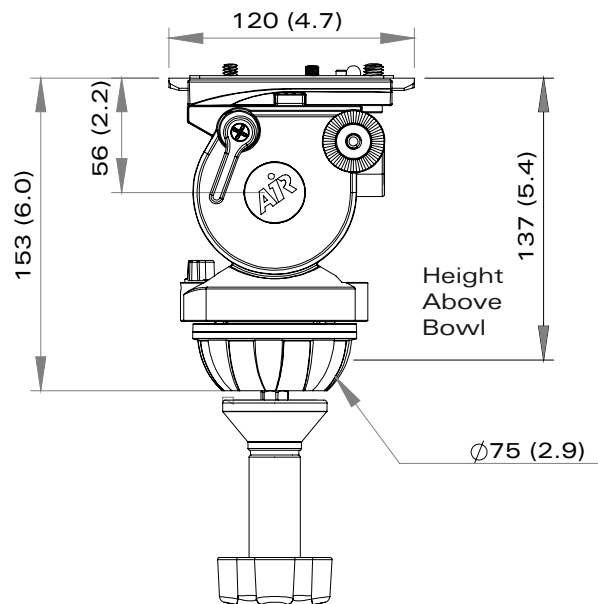
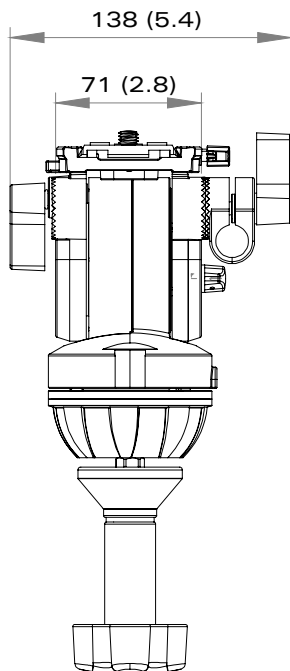




FEATURES

- Compact, lightweight, dependable.
- 2 selectable positions of counterbalance.
- Perfect for camera payloads to 2.5-5kg (5.5-11lbs).
- Unique, reliable fluid drag technology delivering smooth starts, soft stops pans-tilt actions.
- Consistent fluid drag performance in extreme environments.
- Precision ball bearing mounted pan-tilt movement.
- Precise floating pan-tilt calliper locks ensure bounce free on-off performance.
- Quick release, 60mm balance travel camera plate with 1/4" screw + pin, 1/4" and 3/8" screws.
- Robust construction for rugged outdoor shooting conditions, built for endurance.
- Removable ball level stud for flat base mounting (sliders) with 3/8" screw hole.
- Accessory mount option for viewfinders.
- Optional second pan handle mount.
- 3 year warranty.

The Lightweight for Professionals



1042 AIR FLUID HEAD

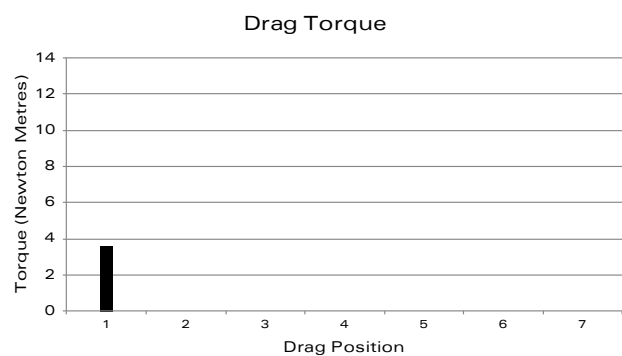
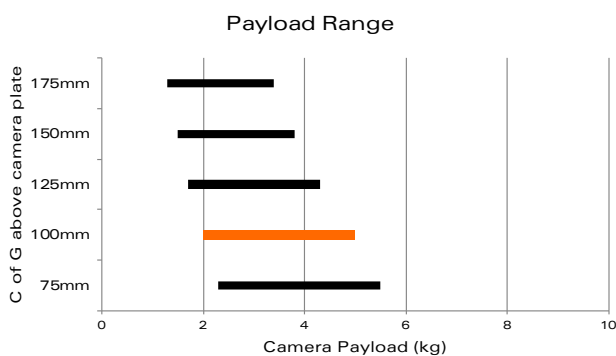
Weight:	1.5 kg (3.3 lbs)
Payload range:	2.0 - 5.0 kg (4.4 - 11.0 lbs)
Pan/tilt drag:	Fixed drag position
Counterbalance:	2 selectable positions
Pan/tilt lock:	Positive lock caliper brake system
Tilt range:	+ 90° / -75°
Pan range:	360°
Camera platform:	Sliding camera plate
Sliding range:	60 mm (2.4")
Mounting base:	Ø75 mm (2.9") ball levelling
Height above bowl:	137 mm (5.4")
Illumination:	N/A
Pan handle:	Fixed 390 mm (15.4")
Temperature range:	-40° to +65° C (-40° to +149° F)
Material:	Lightweight hi-strength diecast aluminium alloy and rigid composite polymers
Finish:	Durable grey ripple (low sheen) with anti-corrosive pre-treatment
Sealing:	Water and dust resistant
Warranty:	3 Years

OPTIONAL ACCESSORIES

378	Ø75 - 100 tripod bowl
1205	Sliding camera plate
1207	Sliding camera plate (long)
1209	Sliding camera plate (short)
493	Camera plate carriage

SPARES

P0037	3/8" camera screw
P0036	1/4" camera screw



AUSTRALIA

Miller Camera Support Equipment
30 Hotham Parade
Artarmon, Sydney, NSW 2064
Australia

P +61 2 9439 6377 F +61 2 9438 2819
sales@miller.com.au

Quality
ISO 9001

SAI GLOBAL
Australia only

EUROPE

Miller Fluid Heads (Europe) Ltd.
Unit 12A, Shepperton Business Park
Govett Avenue, Shepperton
Middlesex, TW17 8BA
United Kingdom

P +44 (0) 1932 222 888 F +44 (0) 1932 222 211
sales@millertripods-europe.com

USA

Miller Camera Support LLC
216 Little Falls Road (Unit 2),
Cedar Grove, New Jersey 07009
USA

P +1 (973) 857 8300 F +1 (973) 857 8188
sales@millertripods.us