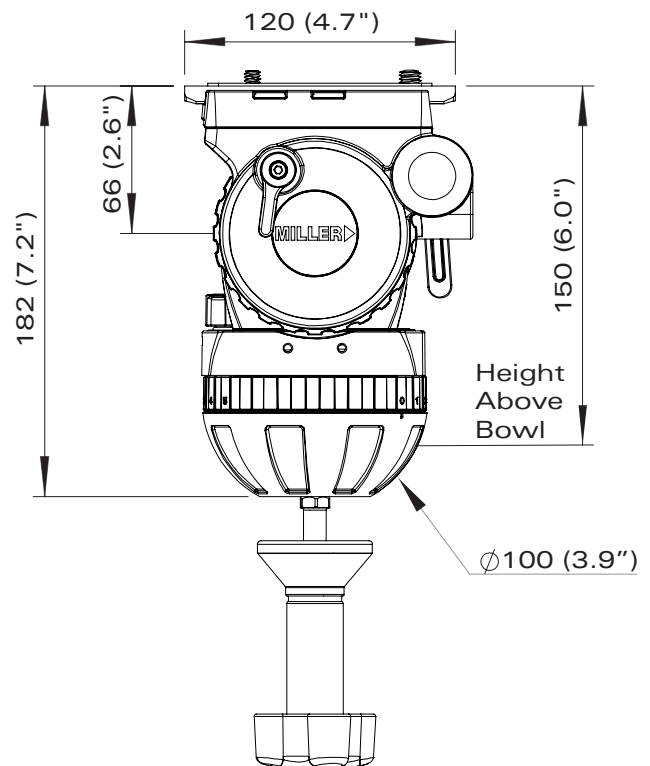
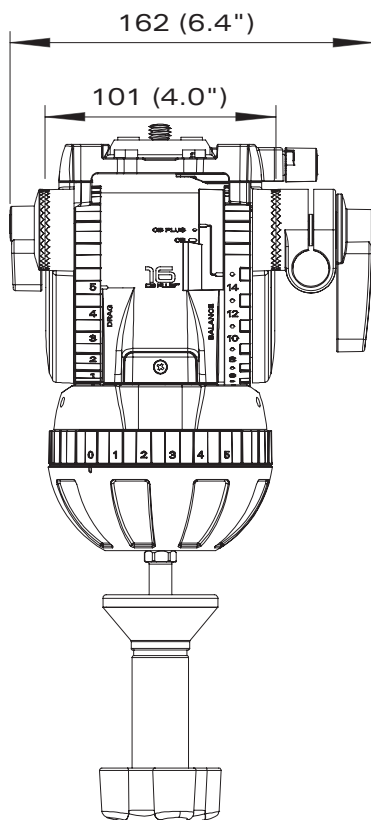




## FEATURES

- Compact, lightweight and versatile.
- 5 selectable drag positions (pan and tilt) + 0.
- 16 selectable counterbalance positions, with CB Plus for precise counterbalance.
- Perfect for payloads to 0 - 12 kg (0 - 26.4 lbs)
- Fluid drag system with smooth start and soft stop technology & balanced diagonal transition.
- Controls slim inline radial ring controls.
- Illuminated bubble level.
- Removable ball level stud for flat base mounting (sliders) with 3/8" screw hole.
- Precise floating pan-tilt caliper locks ensure bounce free on-off performance.
- Side loading camera plate with 60mm travel.
- Robust construction for rugged outdoor shooting conditions.
- Optional second pan handle mount.
- 2 side mount for accessory blocks.
- 3 year warranty.

Affordable, compact, entry 100mm fluid head



## 1096 COMPASS<sup>x</sup> 10 FLUID HEAD

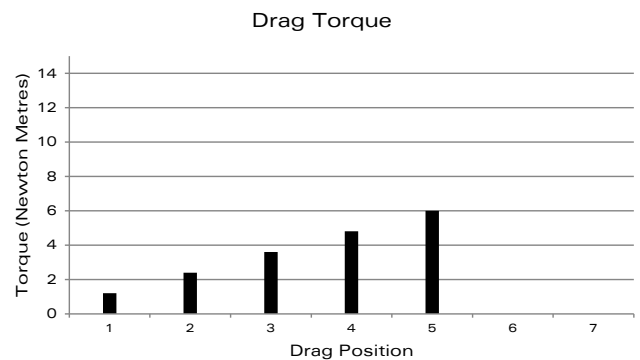
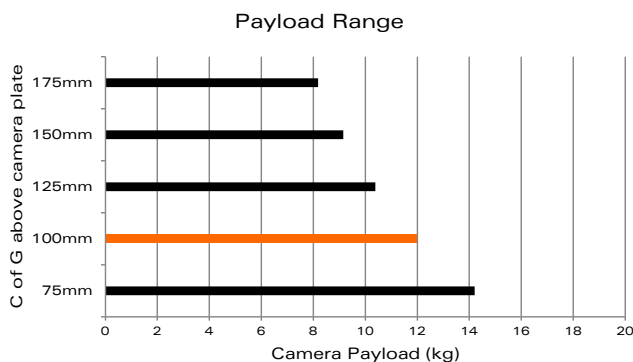
|                    |  |
|--------------------|--|
| Weight:            | 2.5kg (5.5lbs)   |
| Payload range:     | 0 - 12.0kg (0 - 26.4lbs)   |
| Pan/tilt drag:     | 5 selectable fluid drag positions + 0  |
| Counterbalance:    | 16 selectable positions (15 + 0)   |
| Pan/tilt lock:     | Positive lock caliper brake system   |
| Tilt range:        | + 90° / -75°   |
| Pan range:         | 360°   |
| Camera platform:   | Quick release, side load camera plate  |
| Sliding range:     | 60mm (2.4")  |
| Mounting base:     | Ø100mm (3.9") ball levelling   |
| Height above bowl: | 150mm (6.0")   |
| Illumination:      | Bubble level   |
| Pan handle:        | Fixed 390mm (15.4")  |
| Temperature range: | -40° to +65° C (-40° to +149° F)   |
| Material:          | Lightweight hi-strength diecast aluminium alloy and rigid composite polymers |
| Finish:            | Durable black ripple (low sheen) with anti-corrosive pre-treatment           |
| Sealing:           | Water and dust resistant   |
| Warranty:          | 3 Years  |

## OPTIONAL ACCESSORIES

|      |                                    |
|------|------------------------------------|
| 696  | Pan handle - telescopic with clamp |
| 1255 | Accessory mounting block           |
| 1207 | Camera plate (long)                |
| 1209 | Camera plate (short)               |
| 493  | Camera plate carriage              |

## SPARES

|       |                   |
|-------|-------------------|
| P0036 | 1/4" camera screw |
| P0037 | 3/8" camera screw |



### AUSTRALIA

Miller Camera Support Equipment  
30 Hotham Parade  
Artarmon, Sydney, NSW 2064  
Australia

P +61 2 9439 6377 F +61 2 9438 2819  
sales@miller.com.au

Quality  
ISO 9001

SAI GLOBAL  
Australia only

### EUROPE

Miller Fluid Heads (Europe) Ltd.  
Unit 12A, Shepperton Business Park  
Govett Avenue, Shepperton  
Middlesex, TW17 8BA  
United Kingdom

P +44 (0) 1932 222 888 F +44 (0) 1932 222 211  
sales@millertripods-europe.com

### USA

Miller Camera Support LLC  
216 Little Falls Road (Unit 2),  
Cedar Grove, New Jersey 07009  
USA

P +1 (973) 857 8300 F +1 (973) 857 8188  
sales@millertripods.us